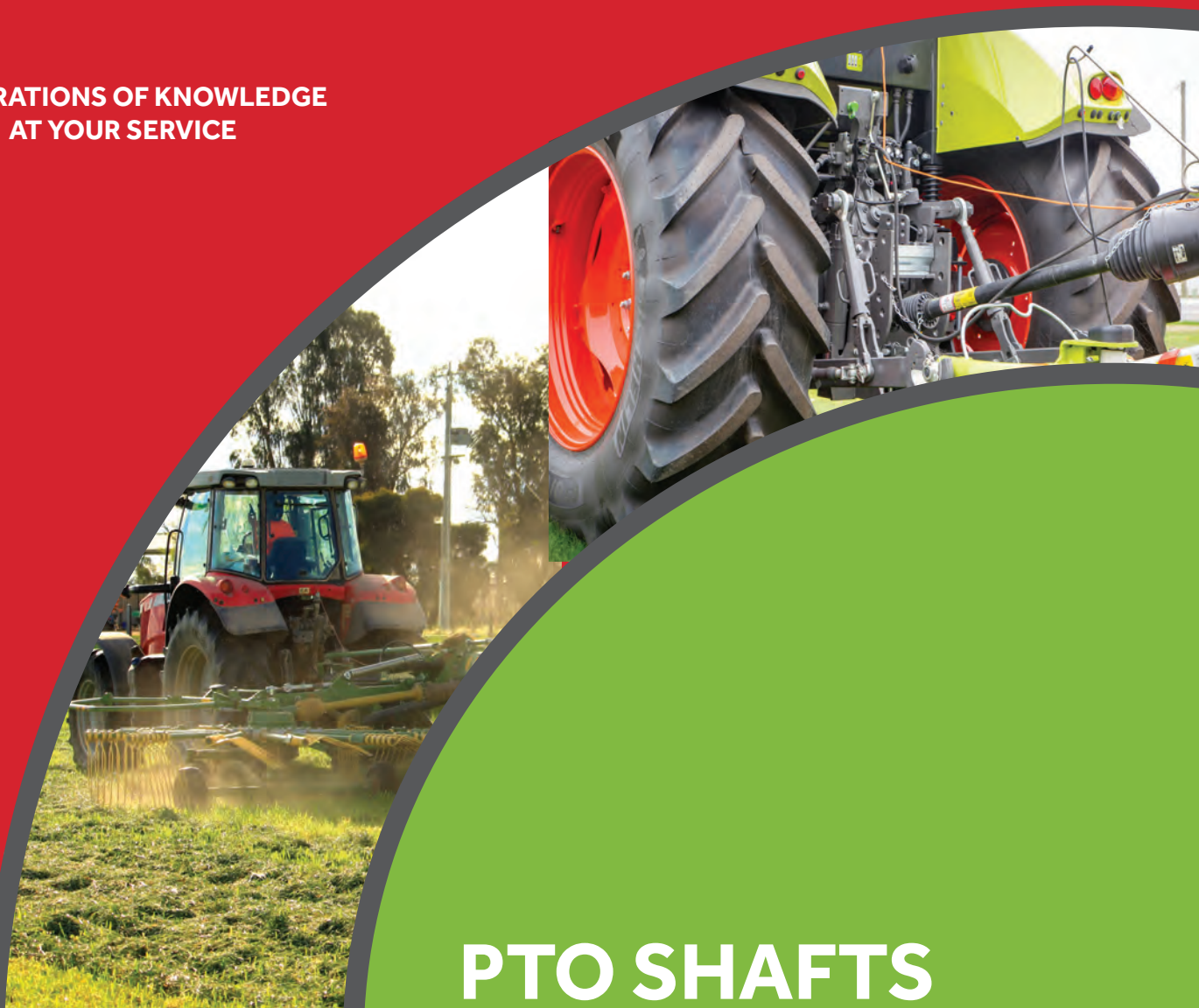




GENERATIONS OF KNOWLEDGE
AT YOUR SERVICE



PTO SHAFTS & ACCESSORIES PRODUCT CATALOGUE

2020



PTO SHAFTS

Genfitt are one of the leading suppliers of PTO shafts and accessories across Ireland and the UK. We offer a full range of complete shafts to both Manufacturers and Machinery Parts Resellers. Our range of PTO Shafts include offerings in both Standard shafts, Shearbolt shafts, Freewheel Clutch Shafts and Wide Angle Shafts. We offer both our own Genfitt Eco brand along with recognised European brands such as Binacchi, Bondioli & Pavesi and La Magdalena.

We also offer a range of replacement and spare parts such as Safety Covers, Shaft Tubing, Universal Joints, Yoke Ends and Shear Bolts. These items are easily attachable to your existing PTO shaft, however all repairs and replacements must be carried out by competent persons.

In addition, you will also find a range of complementary products which can be used in conjunction our PTO range or incorporate features of PTOs. These are listed in the Additional products section (p40). We list in this catalogue a large number of images, diagrams and suitability charts to help you identify the product that you require.

For further information, images and technical details on all products listed in this catalogue please visit our website www.genfitt.ie or contact your local sales representative. For any items you require that aren't in this catalogue please contact your sales representative and we will be happy to try and source it for you.

Here at Genfitt we pride ourselves on safety. All our shafts listed in this Catalogue are CE certified and conform to the guidelines outlined in the Machinery Directive 2006/42/EC.

Terms & conditions please visit www.genfitt.ie

TABLE OF CONTENTS

STANDARD PTO SHAFTS	06	PTO JOINT CIRCLIPS	33
WIDE ANGLE PTO SHAFTS	18	PTO EXTENSION ADAPTORS	34
PTO SAFETY COVERS AND ACCESSORIES	23	SHEARBOLTS	36
PTO TUBES	25	PTO SAFETY NOTES	37
ASSEMBLED COUPLINGS	27	ADDITIONAL PTO ACCESSORIES	40
PTO YOKE ENDS	28	PTO SHAFT - SERIES SUITABILITY GUIDE	42
UNIVERSAL JOINTS	31	ITEM CODE INDEX	43
		INDEX	44

PTO SHAFTS LEGALISATION

To conform to the regulations outlined in the Machinery Directive all machinery sold in the EU must comply with the relevant European Harmonized Standards. By law only machinery which comes under the requirements of the Machinery Directive and complies with the EU Harmonized standards can bare the CE marking. By affixing the CE marking to a product, the manufacturer is declaring that the product complies with all necessary legal requirements.

Machinery Directive – Removable mechanical transmission device:

As per the Health and Safety Authorities information notes on 'PTO Drive Shafts and their Guards', they have stated the following:

The Machinery Directive 2006/42/EC sets out the requirements for placing machinery on the European single market. It defines machinery under a number of categories one of which is removable mechanical transmission device and it states that when such a device is placed on the market with a guard, it shall be regarded as one product. The Directive in its Annex V includes guards for removable mechanical transmission device, in the list of safety components.

The effect of the above declarations means that when PTO guards or combined PTO drive- guard units are made available for sale on a stand-alone basis, they are subject to the Machinery Directive, require being CE-marked and accompanied by a Declaration of Conformity and Instructions for Use.

Also section 3.4.7 of Annex 1 to the Directive sets out a number of design requirements to be met for the transmission of power between self-propelled machinery (or tractor) and recipient machinery.

These relate to:

- a) Whole length protection in respect of moving parts.
- b) Protection at the PTO of the tractor/self-propelled machinery.
- c) Ability to open the guard to access the shaft.
- d) Sufficient clearance between the drive shaft and its guard so that the shaft does not damage the guard.
- e) Provision of a protective casing on shaft end for the recipient machinery.
- f) Torque limiters/freewheels may be fitted to universal joint transmissions only on the side adjoining the recipient machinery.
- g) Recipient machinery must have means to protect the drive unit from damage when it is uncoupled.
- h) Prevention of guard rotation.
- i) Guard must cover the transmission to the ends of the inner jaws in the case of simple universal joints and at least to the centre of the outer joint or joints in the case of wide-angle universal joints.
- j) Measures to prevent shaft guard being used as steps if the machinery is provided with a means of access close to the drive unit unless the guard is designed and built for that purpose."

Manufacturers responsibly

1. Insure their product complies with the machinery directive and the relevant standards. (PTO: ISO 5674 & EN12965)
2. Carry out the conformity assessment, or arrange assessment by a notified body.
3. Set up a technical file.
4. Issue the EC declaration of conformity.
5. Affix the CE marking on the product as per specification.
6. Provide the necessary information and instructions to ensure safe use of the product.

Importers and Retailers responsibility

The Health, Safety and Welfare at work act 2005 states that importers and suppliers must ensure that products which they supply are:

1. Designed and constructed to conform with the relevant statutory provisions and to the provisions of any relevant enactment implementing any relevant directive of the European community's. (For PTO shafts the relevant statutory provision is the Machinery Directive and standards EN 12956 and ISO 5647).
2. Safe and without risk to health when properly used.
3. Provided the necessary information to ensure the correct use and the safety of the operator.

The purpose of CE marking is to ensure that the Minimum Health and Safety Requirements are obeyed. PTO shafts without the essential markings and documentation are therefore Non-CE certified and dangerous.

If the PTO Shaft is legitimately certified it will have the essential markings outlined in the table below:

Essential requirements for markings and warnings on guards	Legislative Reference
The CE marking	Machinery Directive 2006/42/EC
Business name and full address of manufacturer (Beside the CE Marking)	
Information and warnings in easy to understand pictograms (Recommended by Directive 2006/42/EC)	
Type of PTO guard	
Year of construction	

Genfitt (Mayo) Ltd. ensures that all the PTO shafts we supply to the market confirm to and meet the requirements set out in the Machinery Directive. CE certificates available on request.

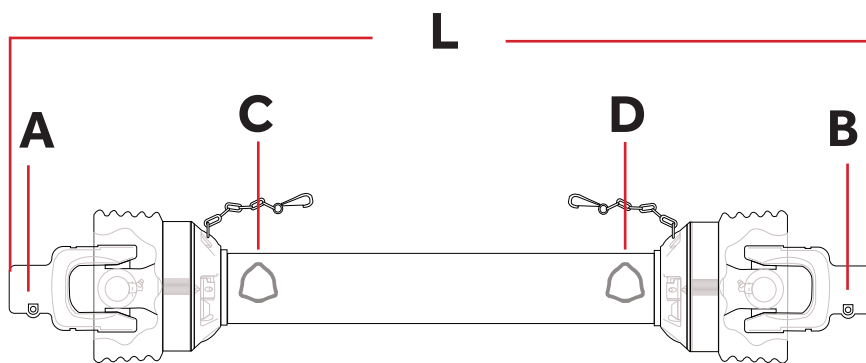
STANDARD PTO SHAFTS

GENFITT ECO PTO SHAFTS

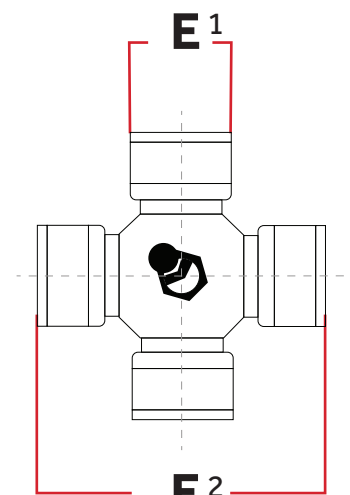


- 90° hinge angle joint when not in operation
- High power transmission capacity joint with small swing diameter
- Easily modifiable profile tube with all spare parts easily replaceable
- Overall length is measured from outside to outside when shaft is closed fully

ADDITIONAL IMAGES



(PTO shaft diagram)



(Joint diagram)

CODE	SERIES	L LENGTH	A END TYPE 1	B END TYPE 2	C INNER TUBE SIZE	D OUTER TUBE SIZE	E (1/2) UNIVERSAL JOINT	TUBE PROFILE
G19144	T1	800mm	1 3/8in - 6 Spline	1 3/8in - 6 Spline	1.04 (3.5 x 26mm)	1.03 (2.6 x 33mm)	1.01 (22 x 55mm)	3 Corner
G19145	T4	1,200mm	1 3/8in - 6 Spline	1 3/8in - 6 Spline	4.04 (4.5 x 36mm)	3.03 (3.3 x 43mm)	4.01 (27 x 75mm)	3 Corner
G19148	T5	1,200mm	1 3/8in - 6 Spline	1 3/8in - 6 Spline	5.04 (4 x 45mm)	6.03 (4 x 54mm)	5.01 (30 x 80mm)	3 Corner
G19149	T6	1,400mm	1 3/8in - 6 Spline	1 3/8in - 6 Spline	5.04 (4 x 45mm)	6.03 (4 x 54mm)	6.01 (30 x 92mm)	3 Corner
G19150	T6	1,700mm	1 3/8in - 6 Spline	1 3/8in - 6 Spline	5.04 (4 x 45mm)	6.03 (4 x 54mm)	6.01 (30 x 92mm)	3 Corner

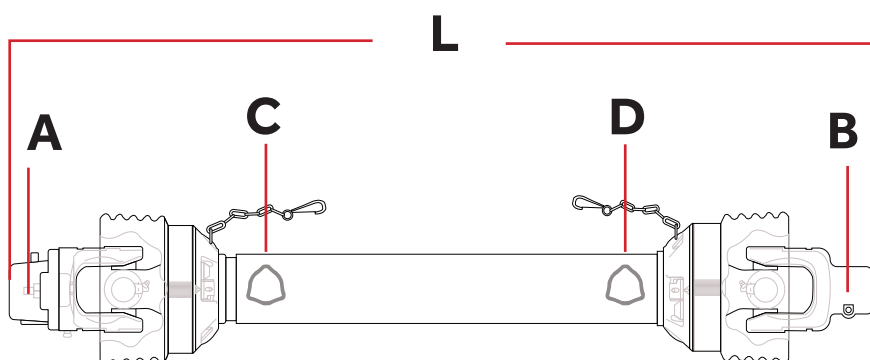
The primary driveline (the one that connects the tractor to the machine) sold in ECC and EFTA countries, must have safety labels with the CE mark, user manual and safety chains.

GENFITT ECO PTO SHAFTS WITH SHEAR BOLT

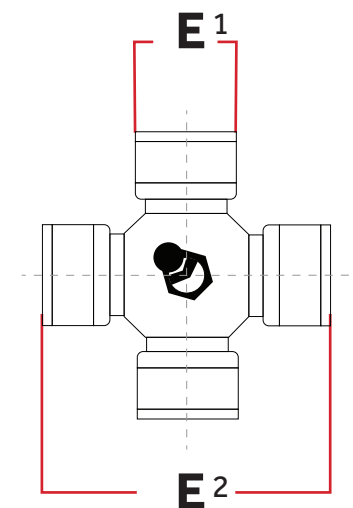


- Complete with shearbolt limiter
- 90° hinge angle joint when not in operation
- High power transmission capacity joint with small swing diameter
- Easily modifiable profile tube with all spare parts easily replaceable
- Overall length is measured from outside to outside when shaft is fully closed

ADDITIONAL IMAGES



(PTO shaft diagram)



(Joint diagram)

CODE	SERIES	L	A	B	C	D	E (1/2)	TUBE PROFILE	SHEARBOLT
		LENGTH	END TYPE 1	END TYPE 2	INNER TUBE SIZE	OUTER TUBE SIZE	UNIVERSAL JOINT		
G19146	T4	1,400mm	1 3/8in - 6 Spline	1 3/8in - 6 Spline	4.04 (4.5 x 36mm)	3.03 (3.3 x 43mm)	4.01 (27 x 75mm)	3 Corner	8mm
G19147	T4	1,400mm	1 3/8in - 6 Spline	1 3/8in - 6 Spline	4.04 (4.5 x 36mm)	3.03 (3.3 x 43mm)	4.01 (27 x 75mm)	3 Corner	10mm
G19491	T5	1,400mm	1 3/8in - 6 Spline	1 3/8in - 6 Spline	5.04 (4 x 45mm)	6.03 (4 x 54mm)	5.01 (30 x 80mm)	3 Corner	10mm
G19151	T6	1,400mm	1 3/8in - 6 Spline	1 3/8in - 6 Spline	5.04 (4 x 45mm)	6.03 (4 x 54mm)	6.01 (30 x 92mm)	3 Corner	10mm
G19152	T8	1,400mm	1 3/4in - 6 Spline	1 3/8in - 6 Spline	5.04 (4 x 45mm)	6.03 (4 x 54mm)	8.01 (35 x 106mm)	3 Corner	12mm
G19803	T8	1,700mm	1 3/4in - 6 Spline	1 3/8in - 6 Spline	5.04 (4 x 45mm)	6.03 (4 x 54mm)	8.01 (35 x 106mm)	3 Corner	12mm

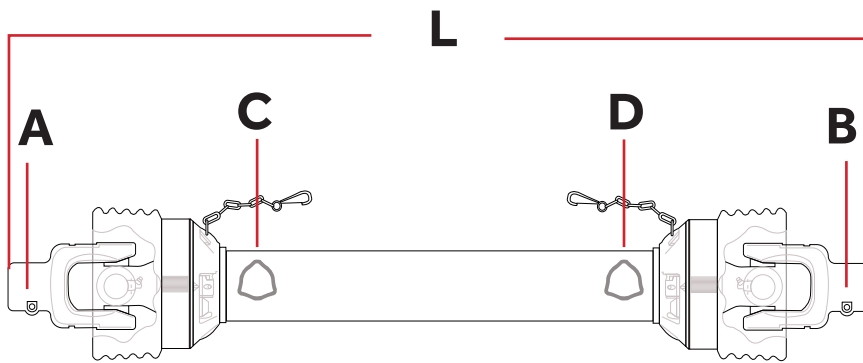
The primary driveline (the one that connects the tractor to the machine) sold in ECC and EFTA countries, must have safety labels with the CE mark, user manual and safety chains.

GENFITT ECO PTO MOWER SHAFTS

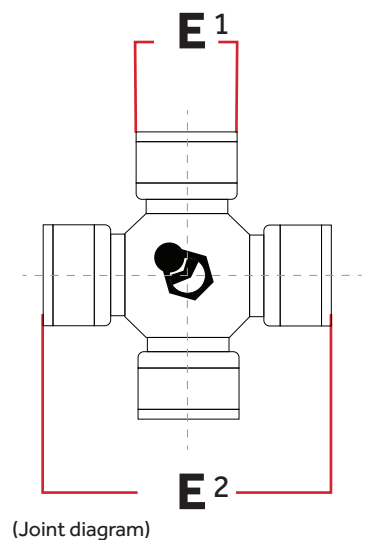


- Complete with freewheel limiter
- 90° hinge angle joint when not in operation
- High power transmission capacity joint with small swing diameter
- Easily modifiable profile tube with all spare parts easily replaceable
- Overall length is measured from outside to outside when shaft is fully closed

ADDITIONAL IMAGES



(PTO shaft diagram)



(Joint diagram)

CODE	SERIES	L LENGTH	A END TYPE 1	B END TYPE 2	C INNER TUBE SIZE	D OUTER TUBE SIZE	E (1/2) UNIVERSAL JOINT	TUBE PROFILE
G19801	T5	1,200mm	1 3/8in - 6 Spline	1 3/8in - 6 Spline	5.04 (4 x 45mm)	6.03 (4 x 54mm)	5.01 (30 x 80mm)	3 Corner
G19802	T6	1,400mm	1 3/8in - 6 Spline	1 3/8in - 6 Spline	5.04 (4 x 45mm)	6.03 (54 x 4mm)	6.01 (30 x 92mm)	3 Corner

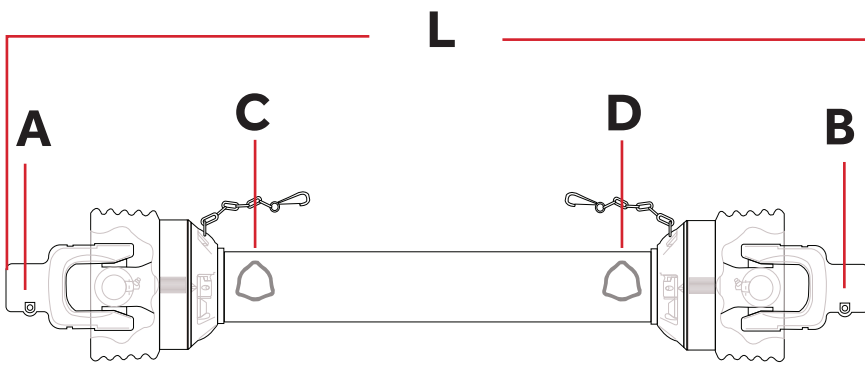
The primary driveline (the one that connects the tractor to the machine) sold in ECC and EFTA countries, must have safety labels with the CE mark, user manual and safety chains.

GENFITT ECO PTO HAYBOB SHAFT

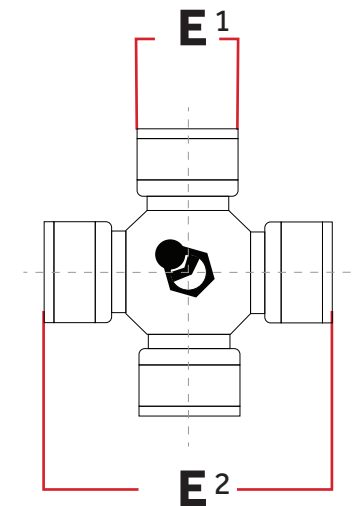


- Complete with ratchet clutch
- 90° hinge angle joint when not in operation
- High power transmission capacity joint with small swing diameter
- Easily modifiable profile tube with all spare parts easily replaceable

ADDITIONAL IMAGES



(PTO shaft diagram)



(Joint diagram)

CODE	SERIES	L LENGTH	A END TYPE 1	B END TYPE 2	C INNER TUBE SIZE	D OUTER TUBE SIZE	E (1/2) UNIVERSAL JOINT	TUBE PROFILE
G19800	T4	1,500mm	1 3/8in - 6 Spline	1 3/8in - 6 Spline	4.04 (4.5 x 36mm)	3.03 (3.3 x 43mm)	4.01 (27 x 75mm)	3 Corner

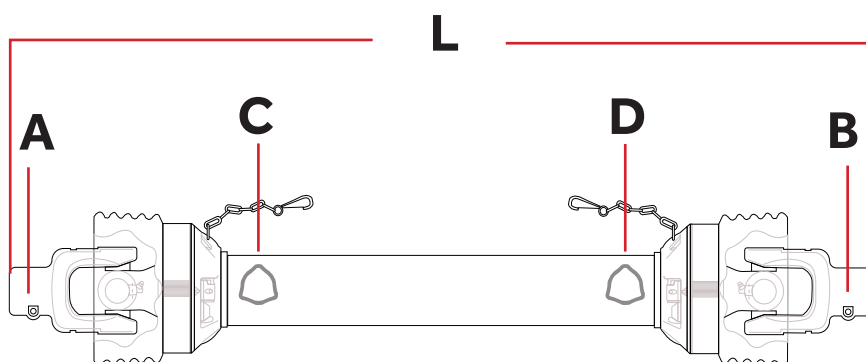
The primary driveline (the one that connects the tractor to the machine) sold in ECC and EFTA countries, must have safety labels with the CE mark, user manual and safety chains.

GENFITT PTO SHAFTS

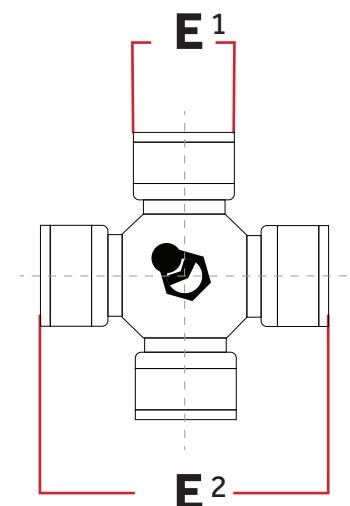


- 90° hinge angle joint when not in operation
- High power transmission capacity joint with small swing diameter
- Easily modifiable profile tube with all spare parts easily replaceable

ADDITIONAL IMAGES



(PTO shaft diagram)



(Joint diagram)

CODE	SERIES	L LENGTH	A END TYPE 1	B END TYPE 2	C INNER TUBE SIZE	D OUTER TUBE SIZE	E (1/2) UNIVERSAL JOINT	TUBE PROFILE
G18052	T1	800mm	1 3/8in - 6 Spline	1 3/8in - 6 Spline	1.04 (3.5 x 26mm)	1.03 (2.6 x 33mm)	1.01 (22 x 55mm)	3 Corner
G18053	T4	1,200mm	1 3/8in - 6 Spline	1 3/8in - 6 Spline	4.04 (4 x 36mm)	3.03 (3.3 x 43mm)	4.01 (27 x 75mm)	3 Corner
G18055	T5	1,200mm	1 3/8in - 6 Spline	1 3/8in - 6 Spline	5.04 (4 x 45mm)	6.03 (4 x 54mm)	5.01 (30 x 80mm)	3 Corner
G18056	T6	1,400mm	1 3/8in - 6 Spline	1 3/8in - 6 Spline	5.04 (4 x 45mm)	6.03 (4 x 54mm)	6.01 (30 x 92mm)	3 Corner
G18057	T6	1,700mm	1 3/8in - 6 Spline	1 3/8in - 6 Spline	5.04 (4 x 45mm)	6.03 (4 x 54mm)	6.01 (30 x 92mm)	3 Corner

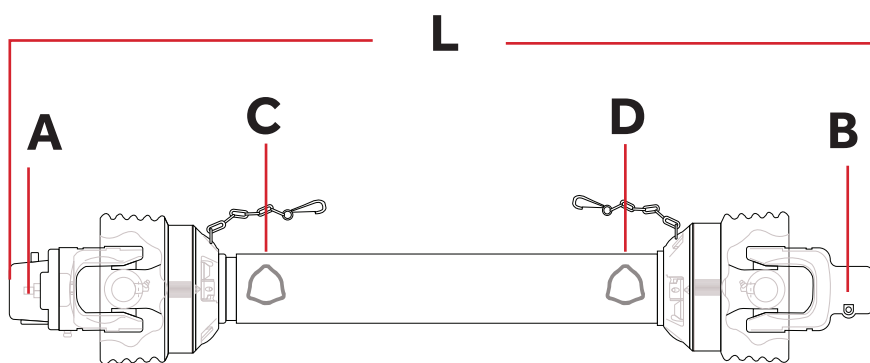
The primary driveline (the one that connects the tractor to the machine) sold in ECC and EFTA countries, must have safety labels with the CE mark, user manual and safety chains.

GENFIT PTO SHAFT WITH SHEARBOLT

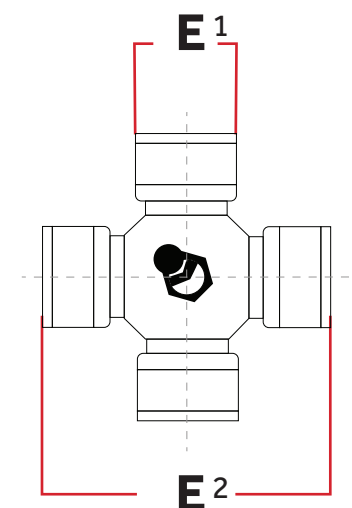


- Complete with shearbolt limiter
- 90° hinge angle joint when not in operation
- High power transmission capacity joint with small swing diameter
- Easily modifiable profile tube with all spare parts easily replaceable

ADDITIONAL IMAGES



(PTO shaft diagram)



(Joint diagram)

CODE	SERIES	L LENGTH	A END TYPE 1	B END TYPE 2	C INNER TUBE SIZE	D OUTER TUBE SIZE	E (1/2) UNIVERSAL JOINT	TUBE PROFILE	SHEARBOLT
G18051	T4	1,400mm	1 3/8in - 6 Spline	1 3/8in - 6 Spline	4.04 (4 x 36mm)	3.03 (3.3 x 43mm)	4.01 (27 x 75mm)	3 Corner	8mm
G18054	T4	1,400mm	1 3/8in - 6 Spline	1 3/8in - 6 Spline	4.04 (4 x 36mm)	3.03 (3.3 x 43mm)	4.01 (27 x 75mm)	3 Corner	10mm
G18198	T5	1,400mm	1 3/8in - 6 Spline	1 3/8in - 6 Spline	5.04 (4 x 45mm)	6.03 (4 x 54mm)	5.01 (30 x 80mm)	3 Corner	10mm
G18058	T6	1,400mm	1 3/8in - 6 Spline	1 3/8in - 6 Spline	5.04 (4 x 45mm)	6.03 (4 x 54mm)	6.01 (30 x 92mm)	3 Corner	10mm
G18199	T8	1,400mm	1 3/8in - 6 Spline	1 3/4in - 6 spline	5.04 (4 x 45mm)	6.03 (4 x 54mm)	8.01 (35 x 106mm)	3 Corner	12mm

The primary driveline (the one that connects the tractor to the machine) sold in ECC and EFTA countries, must have safety labels with the CE mark, user manual and safety chains.

PTO

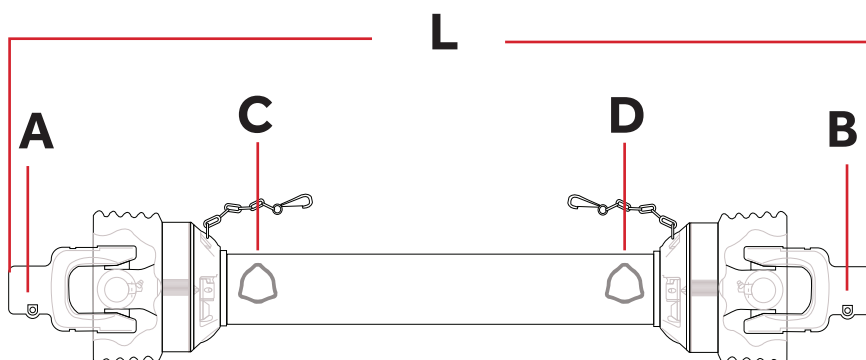


MOWER PTO SHAFT COMPLETE

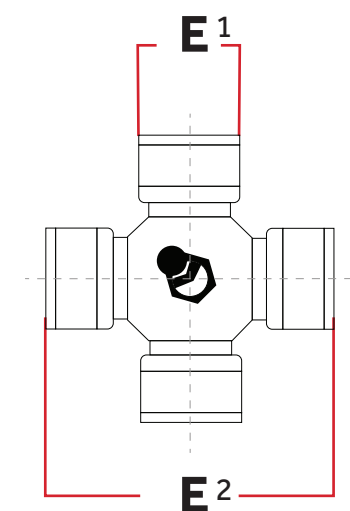


- Complete with freewheel limiter
- 90° hinge angle joint when not in operation
- High power transmission capacity joint with small swing diameter
- Easily modifiable profile tube with all spare parts easily replaceable

ADDITIONAL IMAGES



(PTO shaft diagram)



(Joint diagram)

CODE	SERIES	L LENGTH	A END TYPE 1	B END TYPE 2	C INNER TUBE SIZE	D OUTER TUBE SIZE	E (1/2) UNIVERSAL JOINT	TUBE PROFILE
G7108	T4	1,200mm	1 3/8in - 6 Spline	1 3/8in - 6 Spline FW	4.04 (4 x 36mm)	3.03 (3.3 x 43mm)	4.01 (27 x 75mm)	3 Corner
G7121	T6	1,200mm	1 3/8in - 6 Spline	1 3/8in - 6 Spline OR	5.04 (4 x 45mm)	6.03 (4 x 54mm)	6.01 (30 x 92mm)	3 Corner

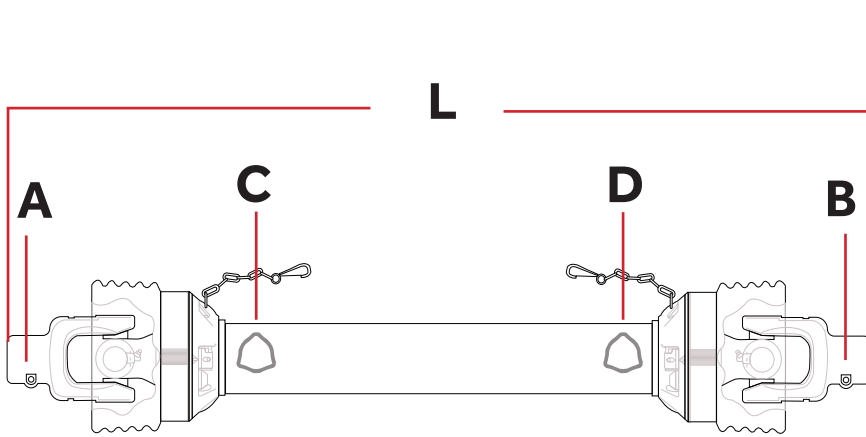
The primary driveline (the one that connects the tractor to the machine) sold in ECC and EFTA countries, must have safety labels with the CE mark, user manual and safety chains.

HAYBOB PTO SHAFT COMPLETE

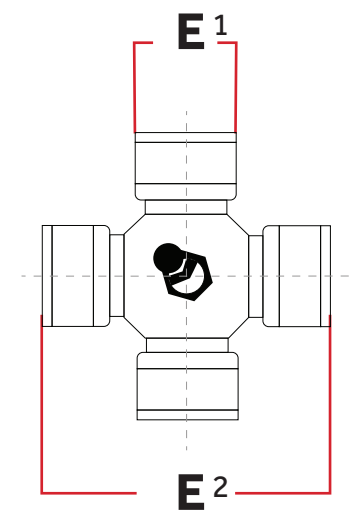


- Complete with ratchet clutch
- 90° hinge angle joint when not in operation
- High power transmission capacity joint with small swing diameter
- Easily modifiable profile tube with all spare parts easily replaceable

ADDITIONAL IMAGES



(PTO shaft diagram)



(Joint diagram)

CODE	SERIES	L LENGTH	A END TYPE 1	B END TYPE 2	C INNER TUBE SIZE	D OUTER TUBE SIZE	E (1/2) UNIVERSAL JOINT	TUBE PROFILE
G7110A	T4	1,500mm	1 3/8in - 6 Spline	1 3/8in - 6 Spline SC	4.04 (4 x 36mm)	3.03 (3.3 x 43mm)	4.01 (27 x 75mm)	3 Corner

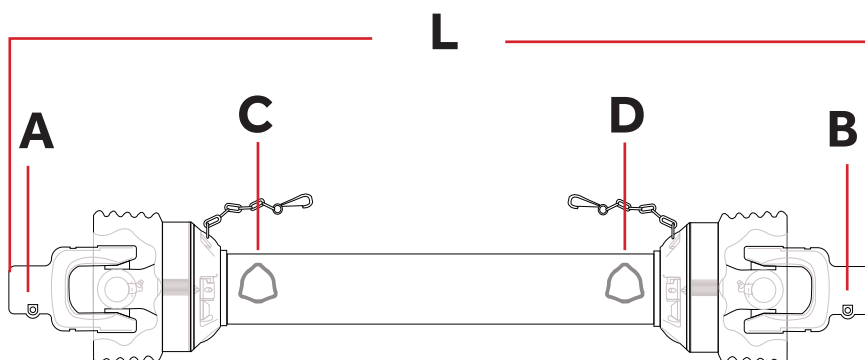
The primary driveline (the one that connects the tractor to the machine) sold in ECC and EFTA countries, must have safety labels with the CE mark, user manual and safety chains.

PTO SHAFT COMPLETE T SERIES

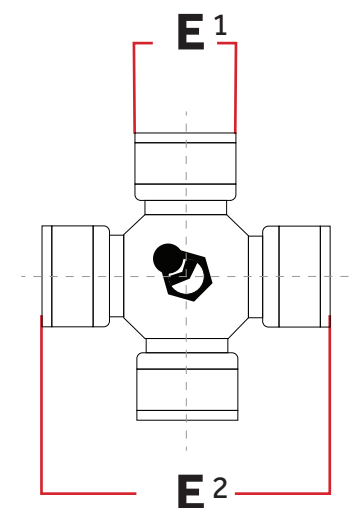


- 90° hinge angle joint when not in operation
- High power transmission capacity joint with small swing diameter
- Easily modifiable profile tube with all spare parts easily replaceable

ADDITIONAL IMAGES



(PTO shaft diagram)



(Joint diagram)

CODE	SERIES	L	A	B	C	D	E (1/2)	TUBE PROFILE
		LENGTH	END TYPE 1	END TYPE 2	INNER TUBE SIZE	OUTER TUBE SIZE	UNIVERSAL JOINT	
G7094	T1	800mm	1 3/8in - 6 Spline	25mm - Keyway	1.04 (3.5 x 26mm)	1.03 (2.6 x 33mm)	1.01 (22 x 55mm)	3 Corner
G7095	T1	800mm	1 3/8in - 6 Spline	30mm - Centre Hole (10mm)	1.04 (3.5 x 26mm)	1.03 (2.6 x 33mm)	1.01 (22 x 55mm)	3 Corner
G7098	T2	1,000mm	1 3/8in - 6 Spline	1 3/8in - 6 Spline	2.04 (3.5 x 29mm)	2.03 (3.4 x 36mm)	2.01 (24 x 61mm)	3 Corner
G7134	T8	1,700mm	1 3/8in - 6 Spline	1 3/8in - 6 Spline	7.04 (5.5 x 45mm)	6.03 (4 x 54mm)	8.01 (35 x 106mm)	3 Corner

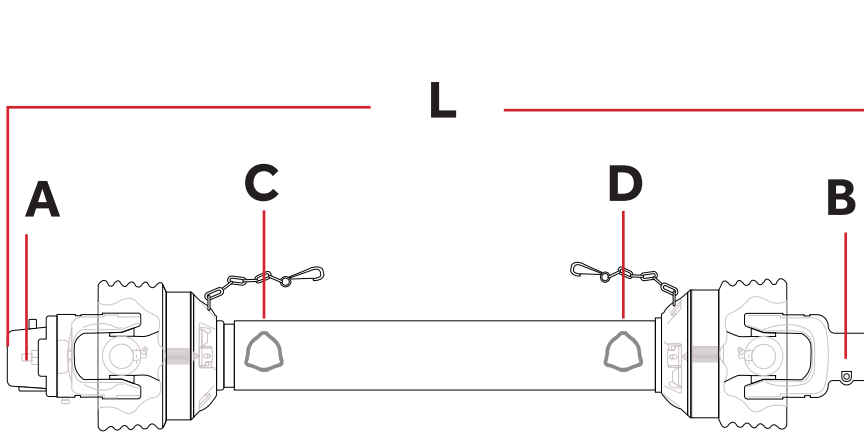
The primary driveline (the one that connects the tractor to the machine) sold in ECC and EFTA countries, must have safety labels with the CE mark, user manual and safety chains.

PTO SHAFT FREEWHEEL SHEAR BOLT COMPLETE

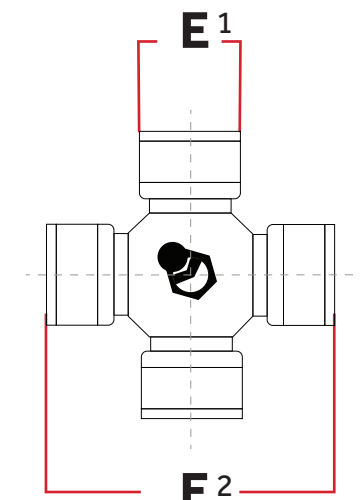


- Complete with shearbolt limiter
- 90° hinge angle joint when not in operation
- High power transmission capacity joint with small swing diameter
- Easily modifiable profile tube with all spare parts easily replaceable

ADDITIONAL IMAGES



(PTO shaft diagram)



(Joint diagram)

CODE	SERIES	L LENGTH	A END TYPE 1	B END TYPE 2	C INNER TUBE SIZE	D OUTER TUBE SIZE	E (1/2) UNIVERSAL JOINT	TUBE PROFILE	SHEARBOLT
G7110	T4	1,400mm	1 3/8in - 6 Spline	1 3/8in - 6 Spline FW SB	4.04 (4 x 36mm)	3.03 (3.3 x 43mm)	4.01 (27 x 75mm)	3 Corner	8mm
G7112C	T5	1,400mm	1 3/8in - 6 Spline	1 3/8in - 6 Spline FW SB	5.04 (4 x 45mm)	5.03 (3 x 52mm)	5.01 (30 x 80mm)	3 Corner	8mm
G19673	T5	1,400mm	1 3/8in - 6 Spline	1 3/8in - 6 Spline FW SB	5.04 (4 x 45mm)	6.03 (4 x 54mm)	5.01 (30 x 80mm)	3 Corner	10mm

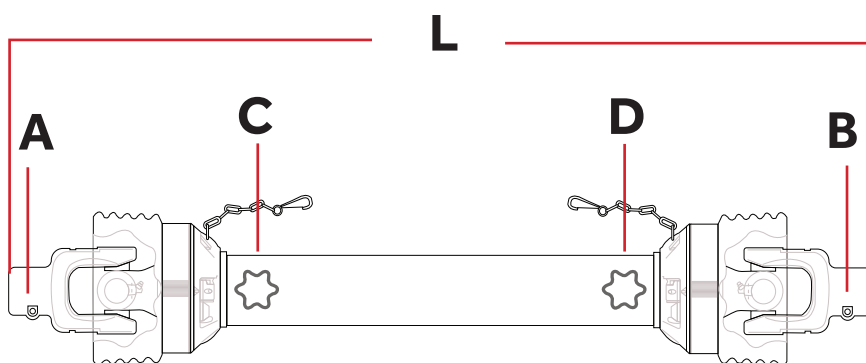
The primary driveline (the one that connects the tractor to the machine) sold in ECC and EFTA countries, must have safety labels with the CE mark, user manual and safety chains.

V6N PTO SHAFT COMPLETE

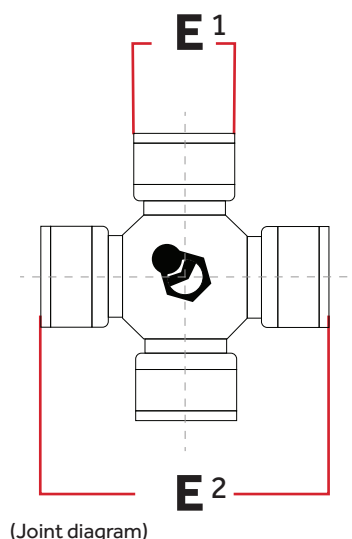


- 90° hinge angle joint when not in operation
- Star profile tubing
- Complete with freewheel

ADDITIONAL IMAGES



(PTO shaft diagram)



(Joint diagram)

16

CODE	SERIES	L LENGTH	A END TYPE 1	B END TYPE 2	C INNER TUBE SIZE	D OUTER TUBE SIZE	E (1/2) UNIVERSAL JOINT	TUBE PROFILE
G17572	T6	1,996mm	1 3/4in - 6 Spline	1 3/8in - 6 Spline	S4 (47.4mm)	S5 (4.3 x 56.8mm)	6.01 (30 x 92mm)	Star

The primary driveline (the one that connects the tractor to the machine) sold in ECC and EFTA countries, must have safety labels with the CE mark, user manual and safety chains.

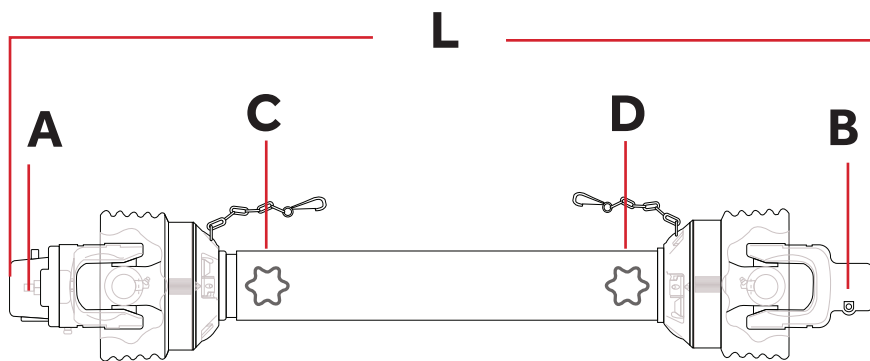


PTO SHAFT WITH SHEAR BOLT COMPLETE

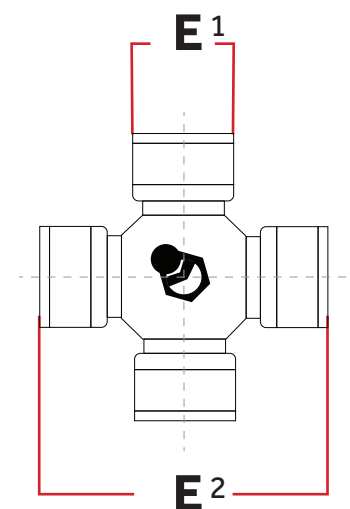


- Complete with shearbolt limiter
- 90° hinge angle joint when not in operation
- High power transmission capacity joint with small swing diameter
- Easily modifiable profile tube with all spare parts easily replaceable

ADDITIONAL IMAGES



(PTO shaft diagram)



(Joint diagram)

CODE	SERIES	L LENGTH	A END TYPE 1	B END TYPE 2	C INNER TUBE SIZE	D OUTER TUBE SIZE	E (1/2) UNIVERSAL JOINT	TUBE PROFILE	SHEARBOLT
G17674	T8	1,040mm	1 3/4in - 20 Spline	1 3/8in - 6 Spline SB	S4 (47.4mm)	S5 (4.3 x 56.8mm)	8.01 (35 x 106mm)	Star	12mm
G17768	T8	1,033mm	1 3/8in - 6 Spline	1 3/8in - 6 Spline SB	S4 (47.4mm)	S5 (4.3 x 56.8mm)	8.01 (35 x 106mm)	Star	12mm

The primary driveline (the one that connects the tractor to the machine) sold in ECC and EFTA countries, must have safety labels with the CE mark, user manual and safety chains.

PTO

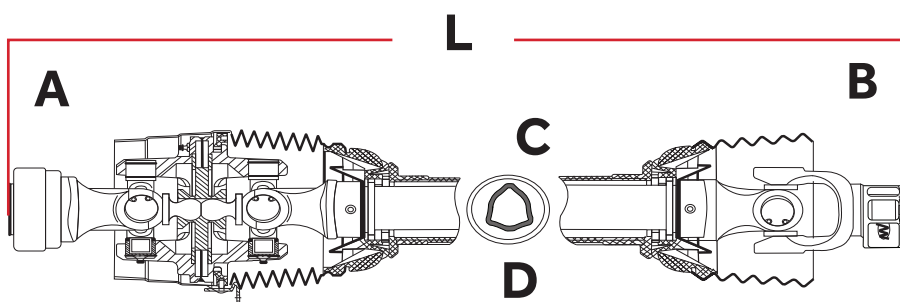
WIDE ANGLE PTO SHAFTS

GENFITT ECO WIDE ANGLE PTO SHAFT COMPLETE

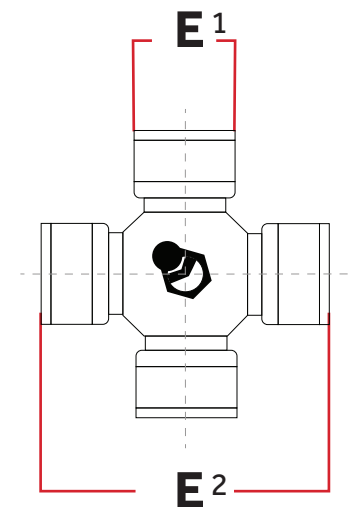


- 80° max unilateral angle
- High power transmission capacity joint with small swing diameter
- Easily modifiable profile tube with all spare parts easily replaceable
- Overall length is measured from outside to outside when shaft is fully closed

ADDITIONAL IMAGES



(PTO shaft diagram)



(Joint diagram)

CODE	SERIES	L LENGTH	A END TYPE 1	B END TYPE 2	C INNER TUBE SIZE	D OUTER TUBE SIZE	E (1/2) UNIVERSAL JOINT	TUBE PROFILE
G19153	T4	1,200mm	1 3/8in - 6 Spline	1 3/8in - 6 Spline	4.04 (4 x 36mm)	3.03 (3.3 x 43mm)	4.01 (27 x 75mm) (24 x 91mm)	3 Corner
G19155	T6	1,200mm	1 3/8in - 6 Spline	1 3/8in - 6 Spline	5.04 (4 x 45mm)	6.03 (4 x 54mm)	6.01 (30 x 92mm) (27 x 100mm)	3 Corner

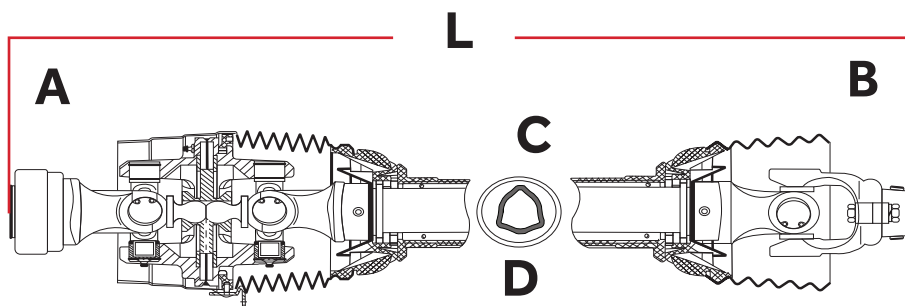
The primary driveline (the one that connects the tractor to the machine) sold in ECC and EFTA countries, must have safety labels with the CE mark, user manual and safety chains.

GENFITT ECO WIDE ANGLE PTO SHEAR BOLT SHAFT COMPLETE

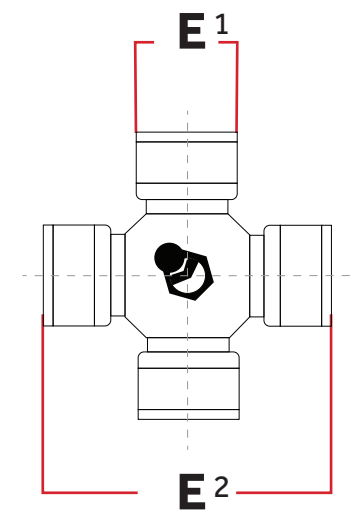


- Complete with shearbolt limiter
- 80° max unilateral angle
- High power transmission capacity joint with small swing diameter
- Easily modifiable profile tube with all spare parts easily replaceable
- Overall length is measured from outside to outside when shaft is fully closed

ADDITIONAL IMAGES



(PTO shaft diagram)



(Joint diagram)

CODE	SERIES	L	A	B	C	D	E (1/2)	TUBE PROFILE	SHEARBOLT
		LENGTH	END TYPE 1	END TYPE 2	INNER TUBE SIZE	OUTER TUBE SIZE	UNIVERSAL JOINT		
G19154	T4	1,200mm	1 3/8in - 6 Spline	1 3/8in - 6 Spline	4.04 (4 x 36mm)	3.03 (3.3 x 43mm)	4.01 (27 x 75mm) (24 x 91mm)	3 Corner	8mm
G19157	T6	1,210mm	1 3/8in - 6 Spline	1 3/8in - 6 Spline	5.04 (4 x 45mm)	6.03 (4 x 54mm)	6.01 (30 x 92mm) (27 x 100mm)	3 Corner	10mm
G19804	T6	1,500mm	1 3/8in - 6 Spline	1 3/8in - 6 Spline	5.04 (4 x 45mm)	6.03 (4 x 54mm)	6.01 (36 x 89mm) (32 x 106mm)	3 Corner	10mm

The primary driveline (the one that connects the tractor to the machine) sold in ECC and EFTA countries, must have safety labels with the CE mark, user manual and safety chains.

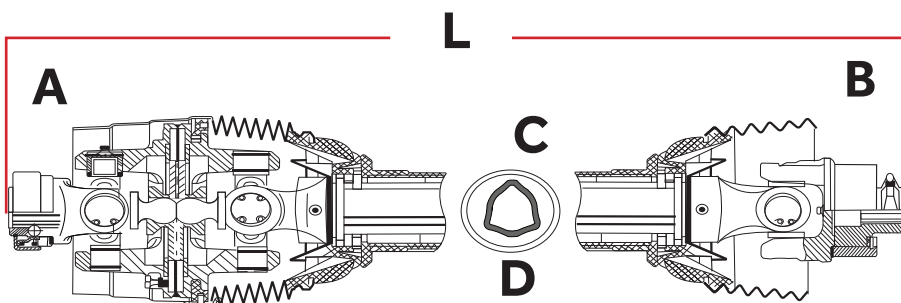
PTO

GENFITT ECO WIDE ANGLE FREEWHEEL PTO SHAFT COMPLETE

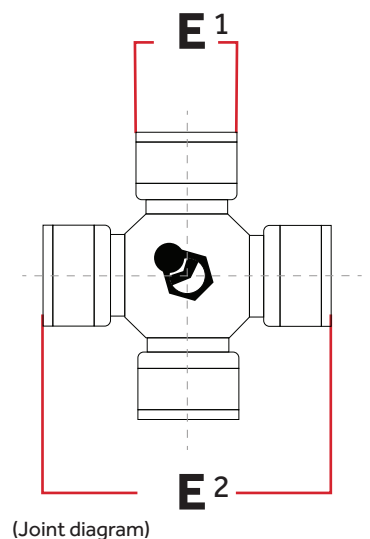


- 80° max unilateral angle
- Complete with freewheel limiter
- High power transmission capacity joint with small swing diameter
- Easily modifiable profile tube with all spare parts easily replaceable
- Overall length is measured from outside to outside when shaft is fully closed

ADDITIONAL IMAGES



(PTO shaft diagram)



(Joint diagram)

CODE	SERIES	L LENGTH	A END TYPE 1	B END TYPE 2	C INNER TUBE SIZE	D OUTER TUBE SIZE	E (1/2) UNIVERSAL JOINT	TUBE PROFILE
G19156	T6	1,200mm	1 3/8in - 6 Spline	1 3/8in - 6 Spline	5.04 (4 x 45mm)	6.03 (4 x 54mm)	6.01 (30 x 92mm) (27x 100mm)	3 Corner

The primary driveline (the one that connects the tractor to the machine) sold in ECC and EFTA countries, must have safety labels with the CE mark, user manual and safety chains.

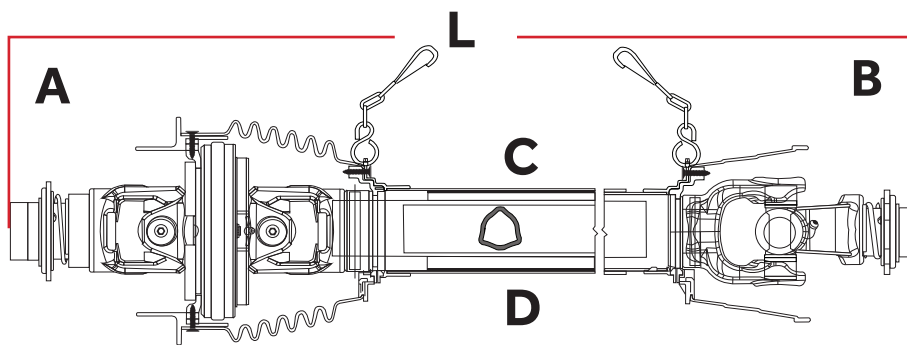
WIDE ANGLE PTO SHAFT COMPLETE



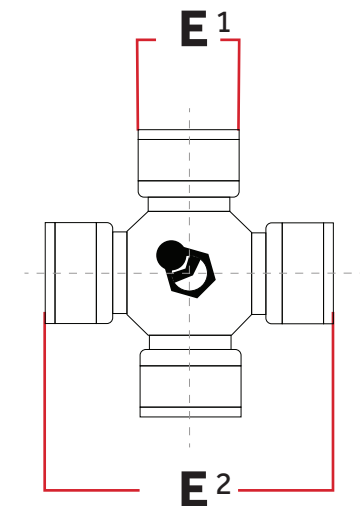
- 80° max unilateral angle
- High power transmission capacity joint with small swing diameter
- Easily modifiable 3 corner profile tube with all spare parts replaceable



ADDITIONAL IMAGES



(PTO shaft diagram)



(Joint diagram)

CODE	SERIES	L	A	B	C	D	E (1/2)	TUBE PROFILE
		LENGTH	END TYPE 1	END TYPE 2	INNER TUBE SIZE	OUTER TUBE SIZE	UNIVERSAL JOINT	
G19501	T6	1,600mm	1 3/8in - 6 Spline	1 3/8in - 6 Spline	5.04 (4 x 45mm)	6.03 (4 x 54mm)	6.01 (32 x 76mm) (27 x 94mm)	3 Corner
G19841	T6	1,575mm	1 3/8in - 6 Spline	1 3/8in - 6 Spline	5.04 (4 x 45mm)	6.03 (4 x 54mm)	6.01 (32 x 76mm) (27 x 94mm)	3 Corner

G19501: La Magdalena

G19841: Binacchi

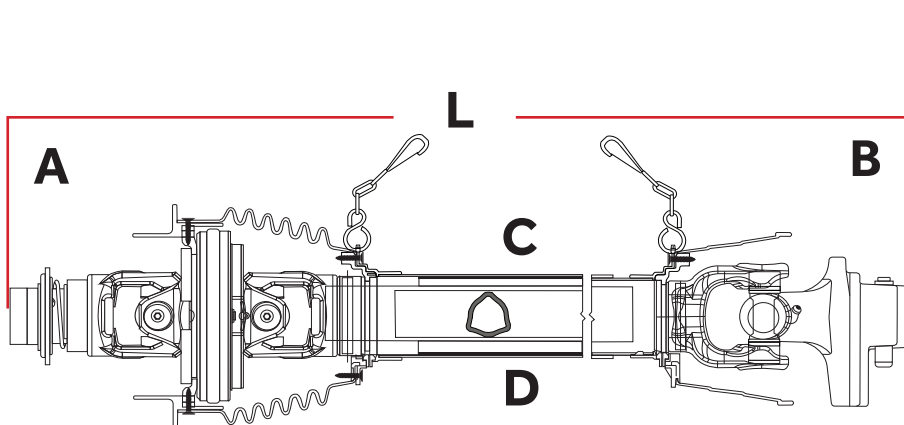
The primary driveline (the one that connects the tractor to the machine) sold in ECC and EFTA countries, must have safety labels with the CE mark, user manual and safety chains.

WIDE ANGLE PTO SHEAR BOLT SHAFT COMPLETE

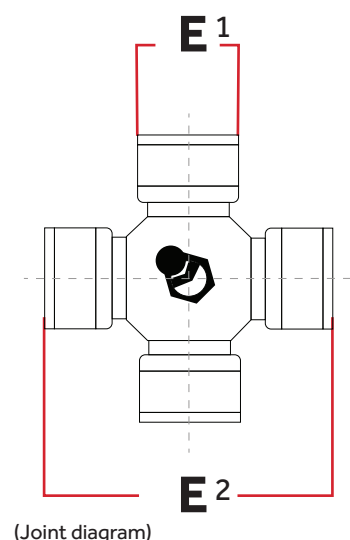


- 80° maximum unilateral angle
- High power transmission capacity joint
- Small swing diameter
- Complete with shearbolt limiter

ADDITIONAL IMAGES



(PTO shaft diagram)



(Joint diagram)

CODE	SERIES	L	A	B	C	D	E (1/2)	TUBE PROFILE	SHEARBOLT
		LENGTH	END TYPE 1	END TYPE 2	INNER TUBE SIZE	OUTER TUBE SIZE	UNIVERSAL JOINT		
G19842	T6	1,593mm	1 3/8in - 6 Spline	1 3/8in - 6 Spline	5.04 (4 x 45mm)	6.03 (4 x 54mm)	6.01 (32 x 76mm) (27 x 94mm)	3 Corner	10mm

The primary driveline (the one that connects the tractor to the machine) sold in ECC and EFTA countries, must have safety labels with the CE mark, user manual and safety chains.

PTO SAFETY COVERS & ACCESSORIES

GENFITT ECO PTO COVER

- Universal replacement covers suitable for complete PTO shafts



ADDITIONAL IMAGES



CODE	SERIES	LENGTH	COLOUR
G19158	T1	1,000mm	Yellow
G19159	T2,3,4	1,400mm	Yellow
G19160	T5,6,7	1,700mm	Yellow
G19161	T8	1,400mm	Yellow

PTO SAFETY COVER



- Replacement cover suitable for complete PTO shaft



ADDITIONAL IMAGES



CODE	SERIES	LENGTH	WIDTH	COLOUR
G17635	T1	1,400mm	133mm	Black
G17636	T4	1,400mm	140mm	Black
G17637	T6,8	1,400mm	180mm	Black

GENFITT ECO PTO COVER WIDE ANGLE



- Replacement covers suitable for Genfitt ECO Wide Angle complete PTO shafts

ADDITIONAL IMAGES



CODE	SERIES	LENGTH	COLOUR
G19162	T4	1,400mm	Yellow
G19163	T6	1,400mm	Yellow

PTO GEARBOX CONE



- Replacement gearbox cover for topper, slurry tanker etc

CODE	LENGTH	WIDTH	COLOUR
G10819	190mm	210mm	Black

LARGE OVAL PTO GEARBOX COVER



- Replacement gearbox cover for agitator, diet feeder etc.

CODE	LENGTH	WIDTH	COLOUR
G12324	180mm	250mm	Black
G15470	230mm	280mm	Black

PTO SAFETY COVER CHAIN



- Replacement safety chain suitable for complete PTO shaft

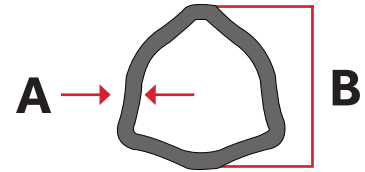
CODE	FINISH
G18050	BZP

PTO TUBES

GENFITT PTO TUBE INNER



- Replacement 3 corner profile inner tubing
- Suitable for complete PTO shafts
- Supplied in 1m length

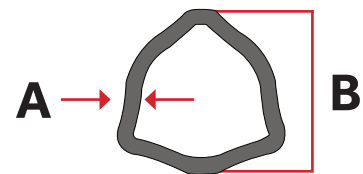


B X A			
CODE	SERIES	TUBE SIZE	TUBE PROFILE
G19172	T1	1.04 (26 x 3.5mm)	3 Corner
G19174	T2	2.04 (29 x 3.5mm)	3 Corner
G19176	T4	4.04 (36 x 4.5mm)	3 Corner
G19178	T5 to T8	5.04 (45 x 4mm)	3 Corner

GENFITT PTO TUBE OUTER

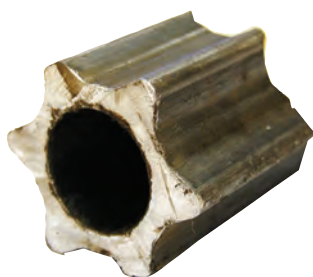


- Replacement 3 corner profile outer tubing
- Suitable for complete PTO shafts
- Supplied in 1m length

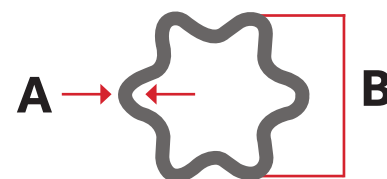


B X A			
CODE	SERIES	TUBE SIZE	TUBE PROFILE
G19173	T1	1.03 (2.6 x 33mm)	3 Corner
G19175	T2	2.03 (3.4 x 36mm)	3 Corner
G19177	T4	3.03 (3.3 x 43mm)	3 Corner
G19179	T5 to T8	6.03 (4 x 54mm)	3 Corner

PTO STAR INNER TUBING



- Replacement star profile for complete PTO shafts
- Supplied in 3m lengths



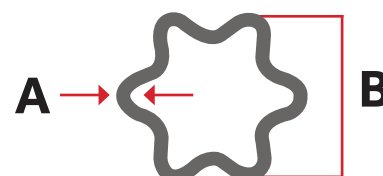
B X A			
CODE	SERIES	TUBE SIZE	TUBE PROFILE
G7280	T8	(51 x 37mm)	Star

PTO

PTO STAR OUTER TUBING



- Replacement star profile for complete PTO shafts
- Supplied in 3m lengths



B X A			
CODE	SERIES	TUBE SIZE	TUBE PROFILE
G7281	T8	S5 (61 x 47mm)	Star

26

ASSEMBLED COUPLINGS

KNUCKLE ASSEMBLY AGITATOR



- Knuckle Assembly suitable for Agitator

CODE	SERIES	LENGTH	END TYPE 1	END TYPE 2	UNIVERSAL JOINT
G16987	T6	250mm	1 3/8in - 6 Spline	40mm Round Keyway	6.01 (30 x 92mm)

ASSEMBLED PTO COUPLING WITH SHEAR BOLT



- Knuckle assembly complete with shear bolt limiters

CODE	SERIES	LENGTH	END TYPE 1	END TYPE 2	UNIVERSAL JOINT
G13409	T5	220mm	1 3/8in - 6 Spline SB	1 3/8in - 6 Spline	5.01 (30 x 80mm)
G7236	T6	250mm	1 3/8in - 6 Spline SB	1 3/8in - 6 Spline	6.01 (30 x 92mm)
G15505	T6	265mm	1 3/8in - 6 Spline SB	40mm Round Keyway	6.01 (30 x 92mm)
G16956	T6	250mm	1 3/4in - 6 Spline SB (12mm)	40mm Round Keyway	6.01 (30 x 92mm)

PTO YOKE ENDS

PTO INNER YOKE END



- Replacement yoke end suitable for lemon and 3 corner profile
- Contains hole for roll pin

CODE	SERIES	UNIVERSAL JOINT	TUBE PROFILE
G7206	T4	4.01 (27 x 75mm)	3 Corner
G7207	T5	5.01 (30 x 80mm)	3 Corner

PTO YOKE END OUTER



- Replacement yoke end suitable for lemon and 3 corner profile
- Contains hole for roll pin

CODE	SERIES	UNIVERSAL JOINT	TUBE PROFILE
G7194	T1	1.01 (22 x 55mm)	Lemon
G7195	T2	2.01 (24 x 61mm)	Lemon
G7198	T6	6.01 (30 x 92mm)	Lemon
G7215	T4	4.01 (27 x 75mm)	3 Corner
G7217	T6	6.01 (30 x 92mm)	3 Corner

PTO 6-SPLINE PRESS BUTTON YOKE END

- Replacement press button quick release yoke end for PTO shaft



CODE	SERIES	END TYPE 1	UNIVERSAL JOINT
G7165	T2	1 3/8in - 6 Spline	2.01 (24 x 61mm)
G7166	T3	1 3/8in - 6 Spline	3.01 (27 x 70mm)
G7167	T4	1 3/8in - 6 Spline	4.01 (27 x 75mm)
G7180	T5	1 3/8in - 6 Spline	5.01 (30 x 80mm)
G7169	T6	1 3/8in - 6 Spline	6.01 (30 x 92mm)
G7171	T8	1 3/8in - 6 Spline	8.01 (35 x 106mm)

PTO INTERFERING BOLT YOKE END

- Replacement interfering bolt yoke end for PTO shaft
- Suitable for round keyway shafting



CODE	SERIES	UNIVERSAL JOINT
G15297	T4	4.01 (27 x 75mm)

PTO SHEAR BOLT LIMITER



- Replacement shear bolt limiter for PTO shaft
- Complete with quick release press button

CODE	SERIES	UNIVERSAL JOINT
G7247	T5	5.01 (30 x 80mm)
G7249	T6	6.01 (30 x 92mm)
G7253	T8	8.01 (35 x 106mm)

PTO INNER YOKE PIN KIT



- Suitable for Walterscheid shafts

CODE	SERIES
G4856	T1

PTO OUTER YOKE PIN KIT



- Suitable for Bondioli shafts

CODE	SERIES
G4857	T6
G4858	T6

UNIVERSAL JOINTS

GENFITT ECO PTO UNIVERSAL JOINT



- Replacement universal joint for Genfitt series ECO PTO shaft
- High quality needle bearing
- Floating discs for increased service life
- The central lubrication system supplies the joint with sufficient grease
- Lubrication required every 8 hours

CODE	SERIES	SIZE
G19164	T1	22 x 55mm
G19165	T2	23.85 x 61.25mm
G19166	T4	27 x 75mm
G19167	T5	30 x 80mm
G19168	T6	30 x 92mm
G19169	T8	35 x 106mm

PTO UNIVERSAL CROSS JOINT



- High quality needle bearing
- Floating discs for increased service life
- The central lubrication system supplies the joint with sufficient grease
- Crosses equipped with a blue P-seal
- Lubrication required every 8 hours

CODE	SERIES	SIZE
G7139	T1	22 x 54mm
G7152	T1	28 x 82mm
G7140	T2	23.6 x 61mm
G7143	T35	32 x 76mm
G7141	T4	27 x 74.6mm
G7142	T4	27 x 74.6mm
G7158	T5	30.2 x 80mm
G7144	T6	30.2 x 92mm
G7145	T7	30.2 x 106.3mm
G7146	T8	34.9 x 106.3mm

GENFITT PTO WIDE ANGLE UNIVERSAL CROSS JOINT



- Replacement wide angle universal joint for Genfitt series ECO complete PTO shaft
- High quality needle bearing
- Floating discs for increased service life
- The central lubrication system supplies the joint with sufficient grease
- Lubrication required every 8 hours

CODE	SERIES	SIZE
G19170	T4	27 x 75mm , 23.8mm x 91mm
G19171	T6	30 x 92mm, 27mm x 100mm

T6 WIDE ANGLE UNIVERSAL JOINT



- High quality needle bearing
- Floating disc for increased service life
- Crosses equipped with blue seal
- Lubricate every 8 hours

CODE	SERIES	SIZE
G17402	T6	30mm x 92mm, 27mm x 100mm

PTO JOINT CIRCLIPS

INTERNAL & EXTERNAL CIRCLIP SELECTION BOX



- 100 piece imperial internal and external circlip kit
- Internal open: 7/16in-15
- Internal open: 5/8in -15
- Internal open: 1/2in -15
- Internal open: 3/4in-15
- Internal open: 9/16in-15
- Internal open: 13/16in-15
- External closed: 1/2in-20
- External closed: 9/16in-20
- External closed: 5/8in-20
- External closed: 3/4in-20
- External closed: 1.1//4in-5
- External closed: 7/8in-10
- External closed: 1in-10
- External closed: 13/16in-10
- External closed: 7/16in-20
- External closed: 3/8in-20
- External closed: 5/16in-20
- External closed: 1/4in-20

CODE	SIZES	BOX QTY
G18673	1/4in - 1.1/4in	100 Pieces

EXTERNAL CIRCLIP SELECTION BOX



- 205 piece metric external circlip kit
- External: 3mm-20
- External: 4mm-10
- External: 5mm-15
- External: 6mm-25
- External: 8mm-15
- External: 10mm-20
- External: 11mm-15
- External: 12mm-15
- External: 13mm-25
- External: 14mm-15
- External: 16mm-20
- External: 19mm-25
- External: 20mm-15
- External: 22mm-20
- External: 25mm-15
- External: 26mm-15
- External: 28mm-10
- External: 32mm-5

CODE	SIZES	BOX QTY
G18674	3mm - 32mm	205 Pieces

PTO EXTENSION ADAPTORS

6-SPLINE PTO SHAFT



- Suitable for repair or extension application

CODE	TYPE	LENGTH	END TYPE 1	END TYPE 2
G4749C	Male/Male	228mm	1 3/8in - 6 Spline M	1 3/8in - 6 Spline M

6-SPLINE PTO EXTENSION ADAPTOR



- Finish: zinc passivated
- Quick release
- Suitable for general application

CODE	TYPE	LENGTH	END TYPE 1	END TYPE 2
G4741	Female/Male	165mm	1 3/8in - 6 Spline F	1 3/8in - 6 Spline M

6-SPLINE PTO EXTENSION ADAPTOR



- Finish: zinc passivated
- Quick release
- Suitable for general application

CODE	TYPE	LENGTH	END TYPE 1	END TYPE 2
G4743	Female/Male	165mm	1 3/8in - 6 Spline F	1. 3/8 - 21 spline M

21 X 6-SPLINE PTO EXTENSION ADAPTOR



- Finish: zinc passivated
- Quick release
- Suitable for general application

CODE	TYPE	LENGTH	END TYPE 1	END TYPE 2
G4744	Female/Male	165mm	1 3/8in - 21 Spline F	1 3/8in - 6 Spline M

PTO INCREASER ADAPTOR



- Finish: zinc passivated
- Suitable for general application

CODE	TYPE	LENGTH	END TYPE 1	END TYPE 2
G4751	Female/Male	80mm	1 1/8 - 6 Spline F	1 3/8in - 6 Spline M

PTO QUICK RELEASE FEMALE SLEEVE ADAPTOR



- Finish: zinc passivated
- Quick release
- Suitable for general application

CODE	TYPE	LENGTH	END TYPE 1	END TYPE 2
G4746	Female/Male	105mm	1 3/8in - 6 Spline F	1. 3/8in - 6 spline F

PTO WELD ON FEMALE SLEEVE ADAPTOR



- Finish: zinc passivated
- Suitable for general application
- Weld On Sleeve
- O.D - 50mm

CODE	TYPE	LENGTH	END TYPE 1	END TYPE 2
G4747	Weld on	100mm	1 3/8in - 6 Spline F	1. 3/8in - 6 Spline F

SHEARBOLTS

SHEARBOLT & NYLOCK NUT 8.8



- Finish: zinc plated
- Material: high tensile steel
- Supplied with nylon lock nut
- Comes in pack of 10

CODE	SIZE
G7337	8 x 51mm
G7340	10 x 60mm

PTO SAFETY NOTES

Before you start choosing your products and equipment we should remind ourselves of the importance of safety around machinery.

According to the Health and Safety Authority (HSA), Tractors & Vehicles and Machinery are the two biggest causes of farm related accidents on Irish farms. Over the last 10 years Tractors & Vehicles have accounted for over 30% of the total number of farm fatalities, (which is the largest portion), and Machinery has accounted for nearly 20% of the total number of farm fatalities. These combined together amount to a total of 50% of farm fatalities.

These statistics gathered by the HSA highlight the importance of farm safety to help prevent fatalities on Irish farms. One major concern relating to PTO Shaft use, is PTO shaft entanglement. Without the proper safety measures and guards in place the operator is working in an extremely dangerous environment, which could lead to a fatality.

Operator safety is of primary importance. Proper use and maintenance should always be followed for PTO Shafts and there safety covers. Before operating you should always check the operator's instructions and warning labels on the implement and PTO Shaft. You should never operate an implement without the correct safety guards over all rotating parts.

The original PTO Shaft should always be used with an implement. Changes or modifications should never be made which are outside maintenance and the manufacturer's specifications.

The following guidelines should always be carefully read prior to and followed when operating PTO driven machinery:

! DANGER

ROTATING DRIVELINE - CONTACT CAN CAUSE DEATH KEEP AWAY!

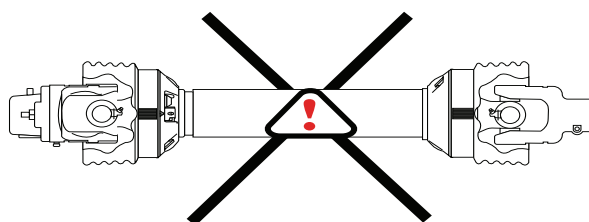
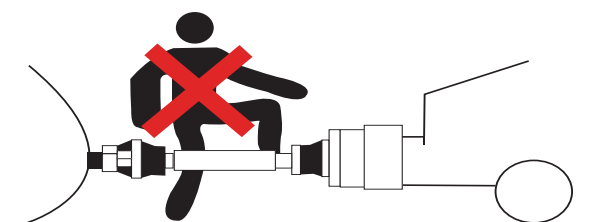
DO NOT OPERATE WITHOUT -

- All driveline guards, tractor and equipment shields in place
- Driveline securely attached at both ends
- Driveline guards that turn freely on driveline

! DANGER

GUARD MISSING DO NOT OPERATE

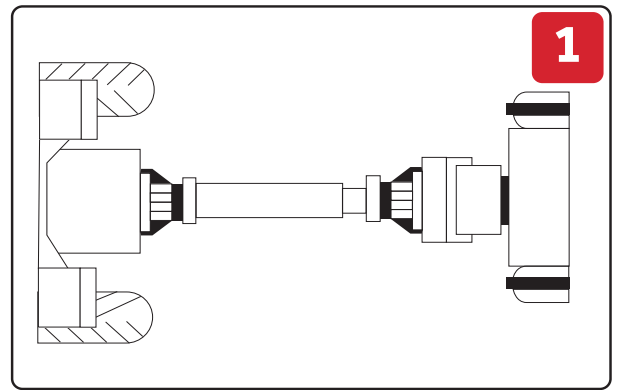
! DANGER



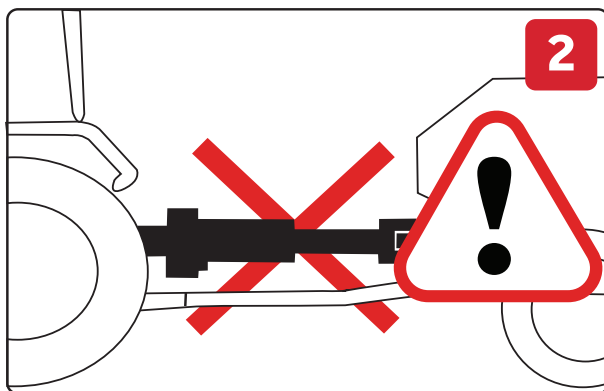
Do not operate the machine without the driveshaft, tractor, and implement shields in place.

Driveshaft shields must turn freely on the driveshaft. Keep operators and bystanders away from all moving parts.

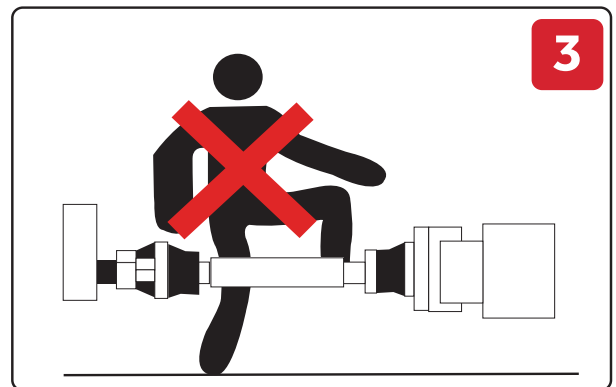
CONTACT WITH A ROTATING DRIVESHAFT CAN CAUSE SERIOUS INJURY OR DEATH.



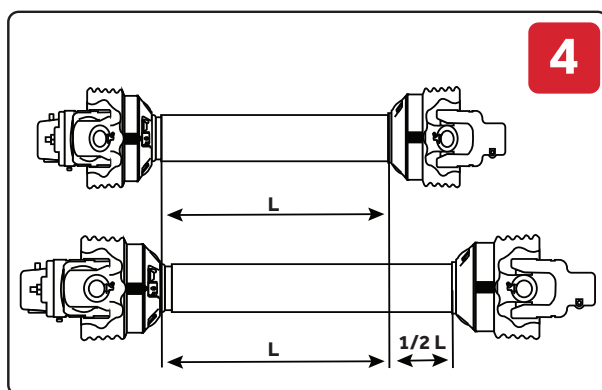
- All rotating parts must be shielded



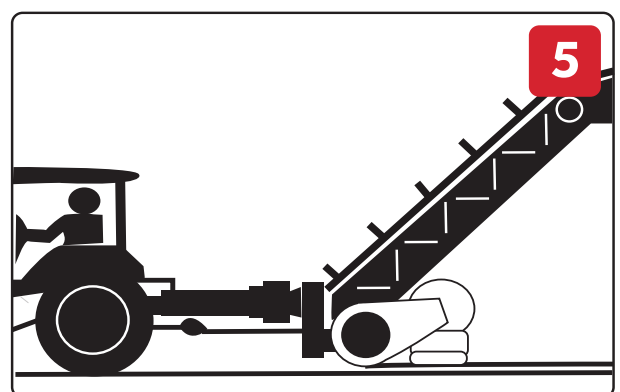
- The driveline must be securely attached at both ends. Guards must turn freely on the driveline



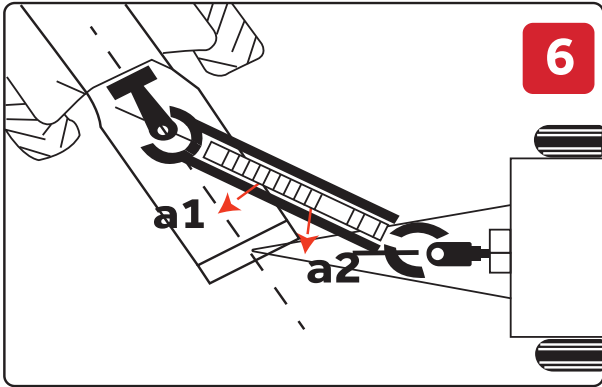
- Shut off tractor engine and remove the key before approaching the implement or doing any maintenance



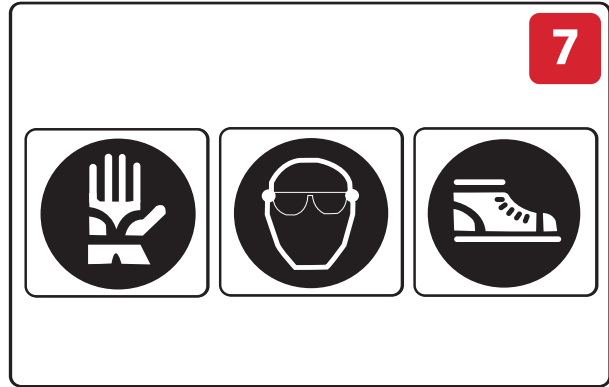
- Confirm the minimum and maximum working lengths of the driveshaft. The telescoping tubes must overlap by at least 1/3 of their length while in use.



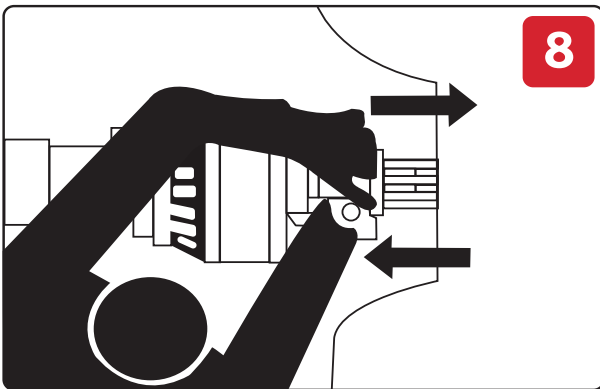
- The tractor must be hitched to the implement and positioned so that the angles of the joints are minimal and equal.



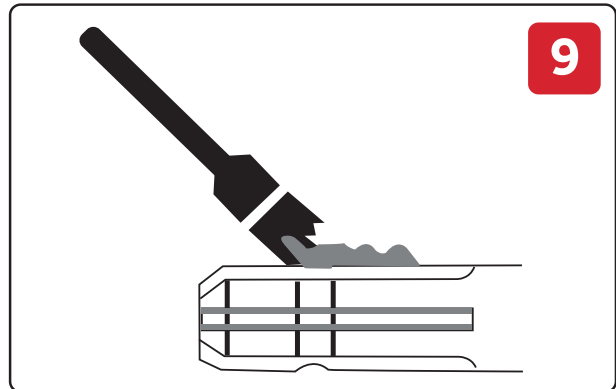
- Disengage the PTO if the angles are too large or not identical



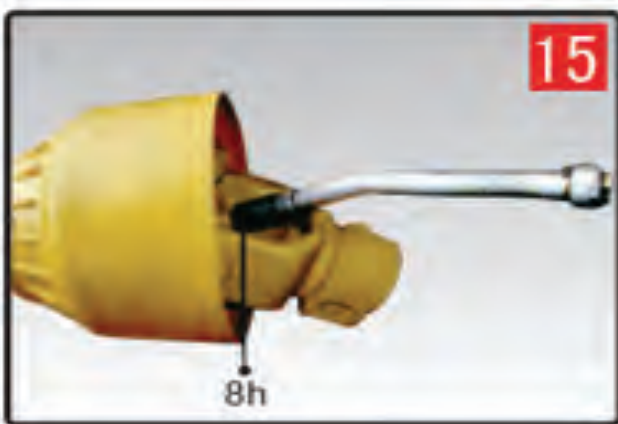
- BEFORE ATTEMPTING ANY REPAIR PROCEDURES, ALWAYS USE APPROPRIATE PPE GEAR SUCH AS SAFETY GLASSES, SAFETY SHOES, AND GLOVES. DO NOT WEAR LOOSE OR BAGGY CLOTHING AROUND THE PTO SHAFT.



- Ensure that the driveline is securely attached to the tractor and the implement before operating.



- Clean and grease the tractor PTO and implement shaft before installing the driveline.



- **LUBRICATION:** Frequent lubrication is required, grease the driveline shaft parts after the number of hours used as shown on the drawing above



ADDITIONAL PTO ACCESSORIES

PTO TWIN CYLINDER AIR COMPRESSOR



CODE: **G1906**

- Supplied complete with all hose and fittings
- Fits a 540 splined PTO shaft
- Pressure: **105 psi**
- Revolutions per minute: **540 RPM**
- Absorbed power: **2hp**
- Tank size: **2.5L**

PTO AIR COMPRESSOR



CODE: **G17072**

- Supplied complete with all hose and fittings
- Average pumping duration 4.5 minutes
- Fits onto a 1 3/8 inch 6 spline PTO shaft
- Air line hose: **3/8 inch x 4m**
- Maximum Working Pressure: **8 Bar / 116 PSI**
- Revolutions per minute: **540 RPM**
- Dimension: **330mm x 220mm x 140mm**

AIR INFLATING GUN CHUCK



CODE: **G1933**

- Thumb locking

PTO COMPRESSOR BLOW-OFF VALVE



CODE: **G1962**

- Replacement valve suitable for PTO Twin Cylinder Compressor (G1906)
- Used in conjunction with PTO Compressor Tank (G1961)
- Finish: **Brass**

**PTO WATER TRANSFER
KIT COMPLETE ML20**



CODE: G1911

- Supplied complete with all hose and fittings
- Fits a 540 splined PTO shaft
- Pressure: **90psi**
- Revolutions per minute: **600 rpm**
- Absorbed power: **7hp**
- Discharge: **33 gallons/min**

**PTO WATER TRANSFER KIT
COMPLETE ML300**



CODE: G1912

- Supplied complete with all hose and fittings
- Fits a 540 splined PTO shaft
- Pressure: **427 psi**
- Revolutions per minute: **600rpm**
- Absorbed power: **7.5hp**
- Discharge: **74 gallons/min**

**PTO COMPRESSOR
HOSE CONNECTION**



CODE: G1963

- Replacement hose connection suitable for PTO Twin Cylinder Compressor (G1906)
- Used in conjunction with PTO Compressor Coupling (G1964)

PTO WATER PUMP FILTER



CODE: G1917

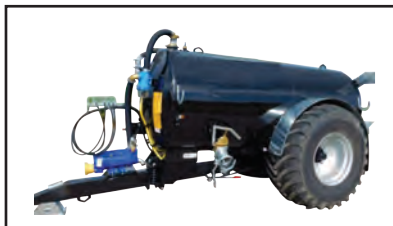
- Replacement filter suitable for PTO Water Pump (G1911)
- Material: **Plastic**

PTO SHAFT- SERIES SUITABILITY GUIDE

PTO SHAFT APPLICATION GUIDE

SERIES	SUITABLE MACHINE APPLICATION	SHEARBOLT OPTION	WIDE ANGLE OPTION
1	Power Washers, Small Fertiliser Spreaders		
2	Small Fertiliser Spreaders, Small Sprayers		
4	Grass Toppers, Small Slurry Tankers, Tedders, Haybob	✓	✓
5	Mowers, Toppers, Slurry Tankers	✓	
6	Mowers, Large Slurry Tankers, Muck Spreaders	✓	✓
8	Agitators, Turf Machines, Diet Feeders, Balers, Power Harrow	✓	

SLURRY TANKER



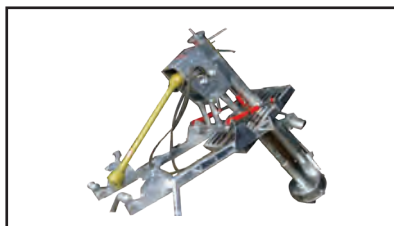
SPRAYER



FERTILISER SPREADER



AGITATOR



PTO PRESSURE WASHER



MUCK SPREADER



G1906.....	40	G7249.....	30	G19160.....	23
G1911.....	41	G7253.....	30	G19161.....	23
G1912.....	41	G7280.....	26	G19162.....	24
G1917.....	41	G7281.....	26	G19163.....	24
G1933.....	40	G7337.....	36	G19164.....	31
G1962.....	40	G7340.....	36	G19165.....	31
G1963.....	41	G10819.....	24	G19166.....	31
G4741.....	34	G12324.....	24	G19167.....	31
G4743.....	34	G13409.....	27	G19168.....	31
G4744.....	35	G15297.....	29	G19169.....	31
G4746.....	35	G15470.....	24	G19170.....	32
G4747.....	36	G15505.....	27	G19171.....	32
G4749C.....	34	G16956.....	27	G19172.....	25
G4751.....	35	G16987.....	27	G19173.....	25
G4856.....	30	G17072.....	40	G19174.....	25
G4857.....	30	G17402.....	32	G19175.....	25
G4858.....	30	G17572.....	16	G19176.....	25
G7094.....	14	G17635.....	23	G19177.....	25
G7095.....	14	G17636.....	23	G19178.....	25
G7098.....	14	G17637.....	23	G19179.....	25
G7108.....	12	G17674.....	17	G19491.....	7
G7110.....	15	G17768.....	17	G19501.....	21
G7110A.....	13	G18050.....	24	G19673.....	15
G7112C.....	15	G18051.....	11	G19800.....	9
G7121.....	12	G18052.....	10	G19801.....	8
G7134.....	14	G18053.....	10	G19802.....	8
G7139.....	31	G18054.....	11	G19803.....	7
G7140.....	31	G18055.....	10	G19804.....	19
G7141.....	31	G18056.....	10	G19841.....	21
G7142.....	31	G18057.....	10	G19842.....	22
G7143.....	31	G18058.....	11		
G7144.....	31	G18198.....	11		
G7145.....	31	G18199.....	11		
G7146.....	31	G18673.....	33		
G7152.....	31	G18674.....	33		
G7158.....	31	G19144.....	6		
G7165.....	29	G19145.....	6		
G7166.....	29	G19146.....	7		
G7167.....	29	G19147.....	7		
G7169.....	29	G19148.....	6		
G7171.....	29	G19149.....	6		
G7180.....	29	G19150.....	6		
G7194.....	28	G19151.....	7		
G7195.....	28	G19152.....	7		
G7198.....	28	G19153.....	18		
G7206.....	28	G19154.....	19		
G7207.....	28	G19155.....	18		
G7215.....	28	G19156.....	20		
G7217.....	28	G19157.....	19		
G7236.....	27	G19158.....	23		
G7247.....	30	G19159.....	23		

Adaptor		Compressor		Gearbox	
6-Spline PTO Extension Adaptor.....	34	PTO Air Compressor.....	40	Large Oval PTO Gearbox Cover.....	24
21 x 6-Spline PTO Extension Adaptor.....	35	PTO Compressor Blow-Off Valve.....	40	PTO Gearbox Cone.....	24
PTO Increaser Adaptor.....	35	PTO Compressor Hose Connection..	41		
PTO Quick Release Female Sleeve Adaptor.....	35	PTO Twin Cylinder Air Compressor..	40	Haybob	
PTO Weld On Female Sleeve Adaptor.....	36			Genfitt ECO PTO Haybob Shaft.....	9
		Cone		Haybob PTO Shaft Complete.....	13
		PTO Gearbox Cone.....	24		
Agitator		Cover		Joint	
Knuckle Assembly Agitator.....	27	Genfitt ECO PTO Cover.....	23	Genfitt ECO PTO Universal Joint.....	31
Air Inflating Gun Chuck.....	40	Genfitt ECO PTO Cover Wide Angle.....	24	Genfitt PTO Wide Angle Universal Cross Joint.....	32
		Large Oval PTO Gearbox Cover.....	24	PTO Universal Cross Joint.....	31
Air		PTO Safety Cover.....	23	T6 Wide Angle Universal Joint.....	32
PTO Air Compressor.....	40	PTO Safety Cover Chain.....	24		
PTO Twin Cylinder Air Compressor...	40			La Magdalena	
		Cross		La Magdalena Wide Angle PTO Shaft Complete.....	21
Binacchi		Genfitt PTO Wide Angle Universal Cross Joint.....	32		
Binacchi PTO Shaft Standard.....	10	PTO Universal Cross Joint.....	31	Mower	
Binacchi PTO Shaft With Shearbolt...	11			Genfitt ECO PTO Mower Shafts.....	8
Binacchi Mower PTO Shaft Complete.....	12	Eco		Mower PTO Shaft Complete.....	12
Binacchi Haybob PTO Shaft Complete.....	13	Genfitt ECO PTO Cover.....	23		
Binacchi PTO Shaft Complete T Series.....	14	Genfitt ECO PTO Cover Wide Angle.....	24	Nut	
Binacchi PTO Shaft Freewheel Shear Bolt Complete.....	15	Genfitt ECO PTO Haybob Shaft.....	9	Shearbolt & Nylock Nut 8.8.....	36
Binacchi V6N PTO Shaft Complete...	16	Genfitt ECO PTO Mower Shafts.....	8		
Binacchi PTO Shaft with Shear Bolt Complete.....	17	Genfitt ECO PTO Shafts Standard.....	6	PTO	
Binacchi Wide Angle PTO Shaft Complete.....	21	Genfitt ECO PTO Shafts with Shear Bolt.....	7	6-Spline PTO Extension Adaptor.....	34
		Genfitt ECO PTO Universal Joint.....	31	6-Spline PTO Shaft.....	34
Bolt		Genfitt ECO Wide Angle Freewheel PTO Shaft Complete.....	20	21 x 6-Spline PTO Extension Adaptor.....	35
PTO Interfering Bolt Yoke End.....	29	Genfitt ECO Wide Angle PTO Shaft Complete.....	18	Assembled PTO Coupling with Shear Bolt.....	27
Shearbolt & Nylock Nut 8.8.....	36	Genfitt ECO Wide Angle PTO Shear Bolt Shaft Complete.....	19	Genfitt ECO PTO Cover.....	23
				Genfitt ECO PTO Cover Wide Angle	24
Chain		Extension		Genfitt ECO PTO Haybob Shaft.....	9
PTO Safety Cover Chain.....	24	6-Spline PTO Extension Adaptor.....	34	Genfitt ECO PTO Mower Shafts.....	8
		21 x 6-Spline PTO Extension Adaptor.....	35	Genfitt ECO PTO Shafts.....	6
Circlip				Genfitt ECO PTO Shafts with Shear Bolt.....	7
External Circlip Selection Box.....	33	Filter		Genfitt ECO PTO Universal Joint.....	31
Internal & External Circlip Selection Box.....	33	PTO Water Pump Filter.....	41	Genfitt ECO Wide Angle Freewheel PTO Shaft Complete.....	20
				Genfitt ECO Wide Angle PTO Shaft Complete.....	18
Coupling		Freewheel			
Assembled PTO Coupling with Shear Bolt.....	27	Genfitt ECO Wide Angle Freewheel PTO Shaft Complete.....	20		
		PTO Shaft Freewheel Shear Bolt Complete.....	15		

Genfitt ECO Wide Angle PTO
 Shear Bolt Shaft Complete..... 19
 Genfitt PTO Shaft..... 10
 Genfitt PTO Shaft With Shearbolt..... 11
 Genfitt PTO Tube Inner..... 25
 Genfitt PTO Tube Outer..... 25
 Genfitt PTO Wide Angle Universal
 Cross Joint..... 32
 Haybob PTO Shaft Complete..... 13
 Large Oval PTO Gearbox Cover..... 24
 Mower PTO Shaft Complete..... 12
 PTO 6-Spline Press Button
 Yoke End..... 29
 PTO Air Compressor..... 40
 PTO Compressor Blow-Off Valve..... 40
 PTO Compressor Hose Connection.. 41
 PTO Gearbox Cone..... 24
 PTO Increaser Adaptor..... 35
 PTO Inner Yoke End..... 28
 PTO Inner Yoke Pin Kit..... 30
 PTO Interfering Bolt Yoke End..... 29
 PTO ML 20 Water Pump Complete... 41
 PTO ML 300 Water Pump Complete.. 41
 PTO Outer Yoke Pin Kit..... 30
 PTO Quick Release Female
 Sleeve Adaptor..... 35
 PTO Safety Cover..... 23
 PTO Safety Cover Chain..... 24
 PTO Shaft Complete T Series..... 14
 Genfitt ECO Wide Angle Freewheel
 PTO Shaft Complete..... 20
 PTO Shaft Freewheel Shear Bolt
 Complete..... 15
 PTO Shaft with Shear Bolt
 Complete..... 17
 PTO Shear Bolt Limiter..... 30
 PTO Star Inner Tubing..... 26
 PTO Star Outer Tubing..... 26
 PTO Twin Cylinder Air Compressor... 40
 PTO Universal Cross Joint..... 31
 PTO Water Pump Filter..... 41
 PTO Weld On Female Sleeve
 Adaptor..... 36
 PTO Yoke End Outer..... 28
 V6N PTO Shaft Complete..... 16
 Wide Angle PTO Shaft Complete..... 21
 Wide Angle PTO Shear Bolt Shaft
 Complete..... 22

Pump

PTO ML 20 Water Pump Complete... 41
 PTO ML 300 Water Pump Complete.. 41
 PTO Water Pump Filter..... 41

Shaft

6-Spline PTO Shaft..... 34
 Genfitt ECO PTO Haybob Shaft..... 9
 Genfitt ECO PTO Mower Shafts..... 8
 Genfitt ECO PTO Shafts Standard..... 6
 Genfitt ECO PTO Shafts with
 Shear Bolt..... 11
 Genfitt ECO Wide Angle Freewheel
 PTO Shaft Complete..... 20
 Genfitt ECO Wide Angle PTO Shaft
 Complete..... 18
 Genfitt ECO Wide Angle PTO Shear
 Bolt Shaft Complete..... 19
 Genfitt PTO Shaft Standard..... 10
 Genfitt PTO Shaft With Shearbolt..... 11
 Haybob PTO Shaft Complete..... 13
 Mower PTO Shaft Complete..... 12
 PTO Shaft Complete T Series..... 14
 PTO Shaft Freewheel Shear Bolt
 Complete..... 15
 PTO Shaft with Shear Bolt
 Complete..... 17
 V6N PTO Shaft Complete..... 16
 Wide Angle PTO Shaft Complete..... 21
 Wide Angle PTO Shear Bolt Shaft
 Complete..... 22

Shearbolt

Assembled PTO Coupling with
 Shear Bolt..... 27
 Genfitt ECO PTO Shafts with
 Shear Bolt..... 7
 Genfitt ECO Wide Angle PTO
 Shear Bolt Shaft Complete..... 19
 Genfitt PTO Shaft With Shearbolt.... 11
 PTO Shaft Freewheel Shear Bolt
 Complete..... 15
 PTO Shaft with Shear Bolt
 Complete..... 17
 PTO Shear Bolt Limiter..... 30
 Shearbolt & Nylock Nut 8.8..... 36
 Wide Angle PTO Shear Bolt Shaft
 Complete..... 22

Tube

Genfitt PTO Tube Inner..... 25
 Genfitt PTO Tube Outer..... 25
 PTO Star Inner Tubing..... 26
 PTO Star Outer Tubing..... 26

Universal

Genfitt ECO PTO Universal Joint..... 31
 Genfitt PTO Wide Angle Universal
 Cross Joint..... 32
 PTO Universal Cross Joint..... 31
 T6 Wide Angle Universal Joint..... 32

Valve

PTO Compressor Blow-Off Valve..... 40

Wide Angle

Genfitt ECO PTO Cover Wide Angle.. 24
 Genfitt ECO Wide Angle Freewheel
 PTO Shaft Complete..... 20
 Genfitt ECO Wide Angle PTO
 Shaft Complete..... 18
 Genfitt ECO Wide Angle PTO Shear
 Bolt Shaft Complete..... 19
 Genfitt PTO Wide Angle Universal
 Cross Joint..... 32
 T6 Wide Angle Universal Joint..... 32
 Wide Angle PTO Shaft Complete..... 21
 Wide Angle PTO Shear Bolt Shaft
 Complete..... 22

Yoke

PTO 6-Spline Press Button
 Yoke End..... 29
 PTO Inner Yoke End..... 28
 PTO Inner Yoke Pin Kit..... 30
 PTO Interfering Bolt Yoke End..... 29
 PTO Outer Yoke Pin Kit..... 30
 PTO Yoke End Outer..... 28





You can order online anytime,
just visit www.genfitt.ie



**GENERATIONS OF KNOWLEDGE
AT YOUR SERVICE**

**Genfitt (Mayo) Ltd.
Knock Road
Kiltimagh
Co. Mayo
F12 K732**

+353 (0) 94 938 1377

info@genfitt.ie

www.genfitt.ie