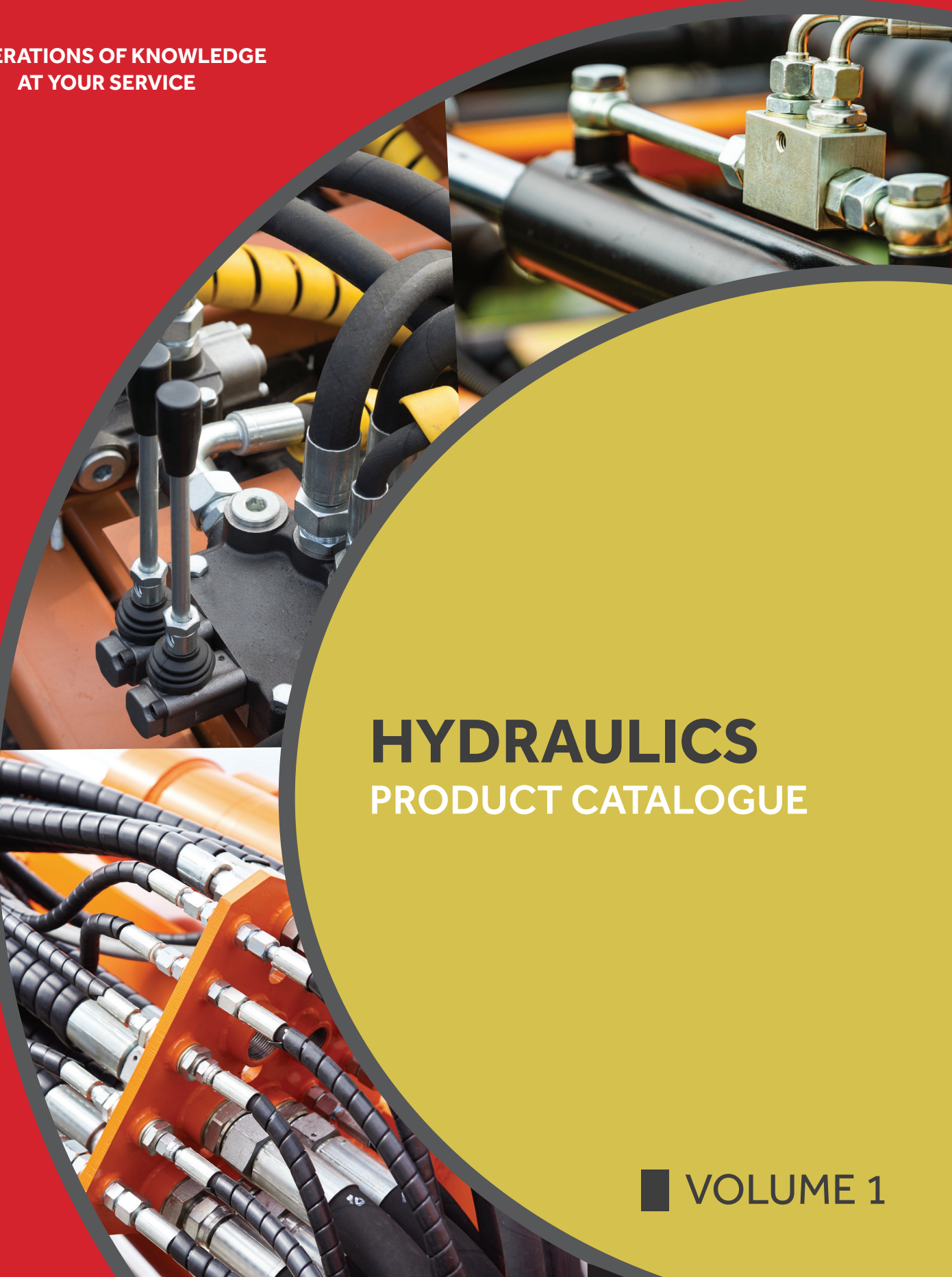




GENFITT

GENERATIONS OF KNOWLEDGE
AT YOUR SERVICE



HYDRAULICS PRODUCT CATALOGUE

■ VOLUME 1



HYDRAULICS

Genfitt is a leading supplier of hydraulic cylinders, fittings & hosing, couplings & valves to OEMs and the trade across Ireland and the UK. We offer a high-quality range of R2T-2 wire hydraulic hose and 2-piece hydraulic insert fittings.

We have a wide selection of hydraulic adaptors and couplings depending on the thread size and type required. Our Hydropack branded monoblock lever valves come in a range of sizes, number of levers and both single acting and double acting operation, depending on the application.

Genfitt offer a full range of replacement seal kits of all our most popular hydraulic cylinders, which are available ex-stock. We stock brands such as Halite and Abbey.

We have a wide range of hydraulic motors and both manual and electric pumps. These motors can be used for such applications as agricultural beet choppers etc. Our electric pumps are suitable for operating telescopic cylinders seen on builders trailers etc.

In Agriculture & Construction work, the focus must be on Health & Safety and ensuring best practice is used when completing hazardous tasks or operating powerful equipment. Our range of protective hosing covering, spiral wrap and hose clamps will help to make sure your machines are properly protected and neatly stored at all times.

For further information, images and technical details on all products listed in this catalogue please visit our website www.genfitt.ie or contact your sales representative.

TABLE OF CONTENTS

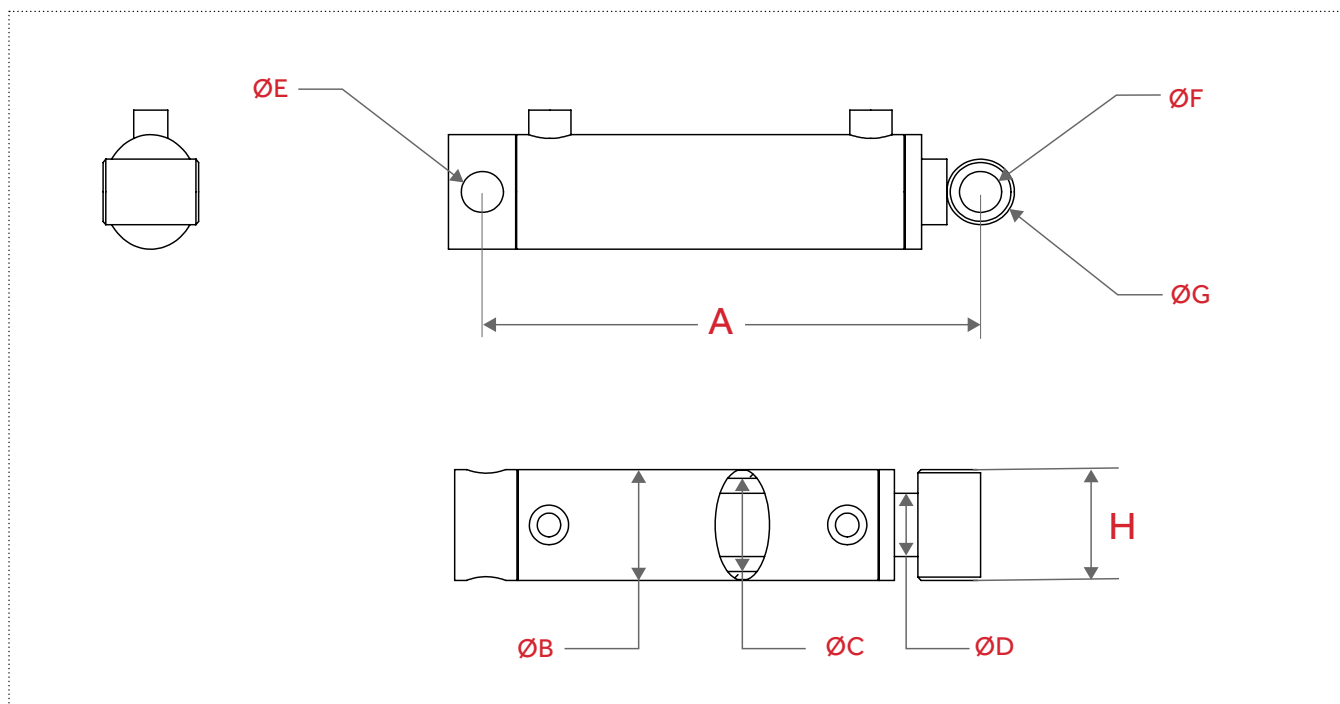
HYDRAULIC RAMS	02	HYDRAULIC VALVES	49
HYDRAULIC TOP LINKS	20	HYDRAULIC MOTORS	56
HYDRAULIC HOSES	26	HYDRAULIC RAM POWER PACKS & PUMPS	59
HYDRAULIC PROTECTIVE COVERS	28	PRESSURE GAUGE & ADAPTORS	60
HYDRAULIC INSERTS	30	HYDRAULIC SEALS	61
HYDRAULIC ADAPTORS	38	INDEX	68
HYDRAULIC COUPLINGS	46	ITEM CODE INDEX	70

HYDRAULIC RAMS

LIGHT DUTY DOUBLE ACTING HYDRAULIC RAM



- Light Duty Double Acting Hydraulic Ram
- Working pressure: 180 Bar - 2610 PSI
- Max pressure: 250 Bar - 3625 PSI
- Ports: 3/8in BSP
- Finish: Self colour
- All loads calculated at 140 Bar - 2000 PSI
- All Double Action rams can be converted to single action with the use of G17544
- Capacity: G3891 / G3893 (2800kg Push/2100kg Pull)
- Capacity: G3897 / G3901 / G3905 / G16518 (2800kg Push/1800kg Pull)

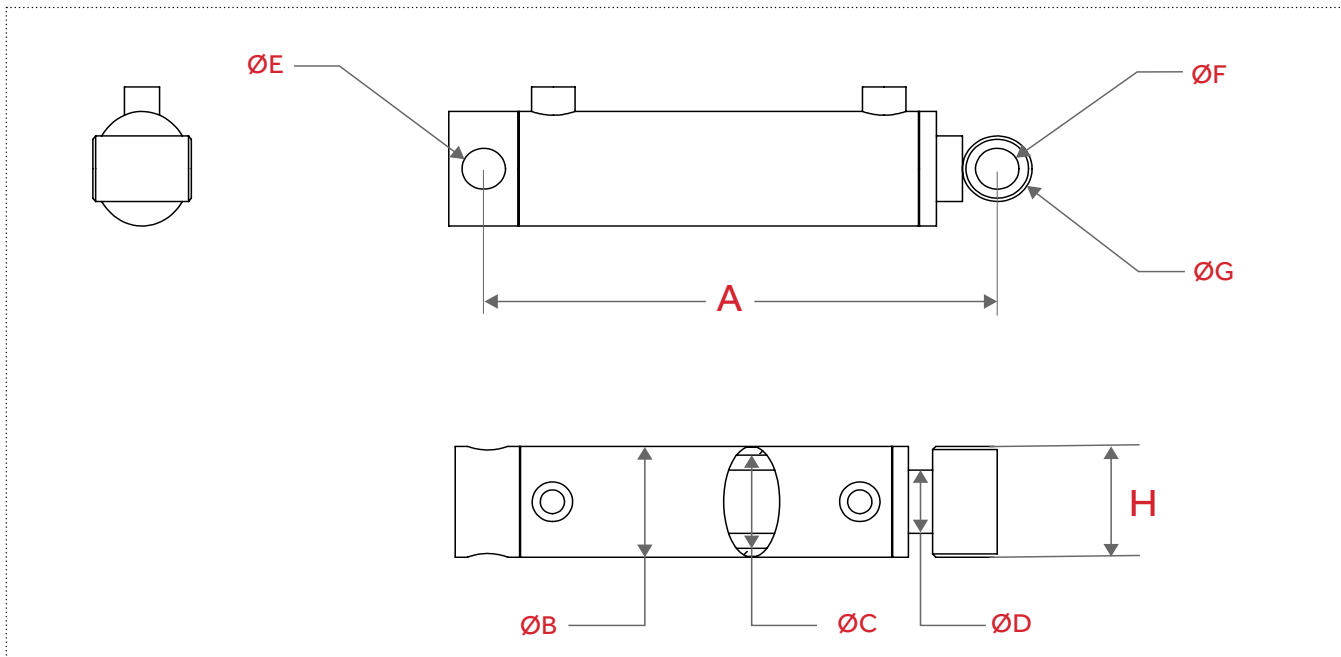


			A	B	C	D	E/F	G	H
CODE	SIZE	STROKE	CLOSED CENTRE	BARREL OUTER DIAMETER	BARREL INNER DIAMETER	ROD	PIN HOLE	BUSHION DIAMETER	BUSHION LENGTH
G3891	8in	50mm	200mm	60mm	50mm	25mm	20mm	40mm	60mm
G3893	10in	100mm	250mm	60mm	50mm	25mm	20mm	40mm	60mm
G3897	12in	145mm	300mm	60mm	50mm	30mm	20mm	40mm	60mm
G3901	15in	225mm	380mm	60mm	50mm	30mm	20mm	40mm	60mm
G3905	18in	328mm	460mm	60mm	50mm	30mm	20mm	40mm	60mm
G17462	20in	350mm	510mm	60mm	50mm	30mm	20mm	40mm	60mm
G16518	24in	450mm	610mm	60mm	50mm	30mm	20mm	40mm	60mm

STANDARD DUTY DOUBLE ACTING HYDRAULIC RAM



- Standard Duty Double Acting Hydraulic Ram
- Working pressure: 180 Bar - 2610 PSI
- Max pressure: 250 Bar - 3625 PSI
- Ports: 3/8in BSP
- Finish: Self colour
- All loads calculated at 140 Bar - 2000 PSI
- All Double Action rams can be converted to single action with the use of G17544
- Capacity: 4000kg/2400kg
- Capacity: G17683 / G19359 (5400kg Push/3700kg Pull)
- Capacity: G18513 (4500kg Push/2500kg Pull)

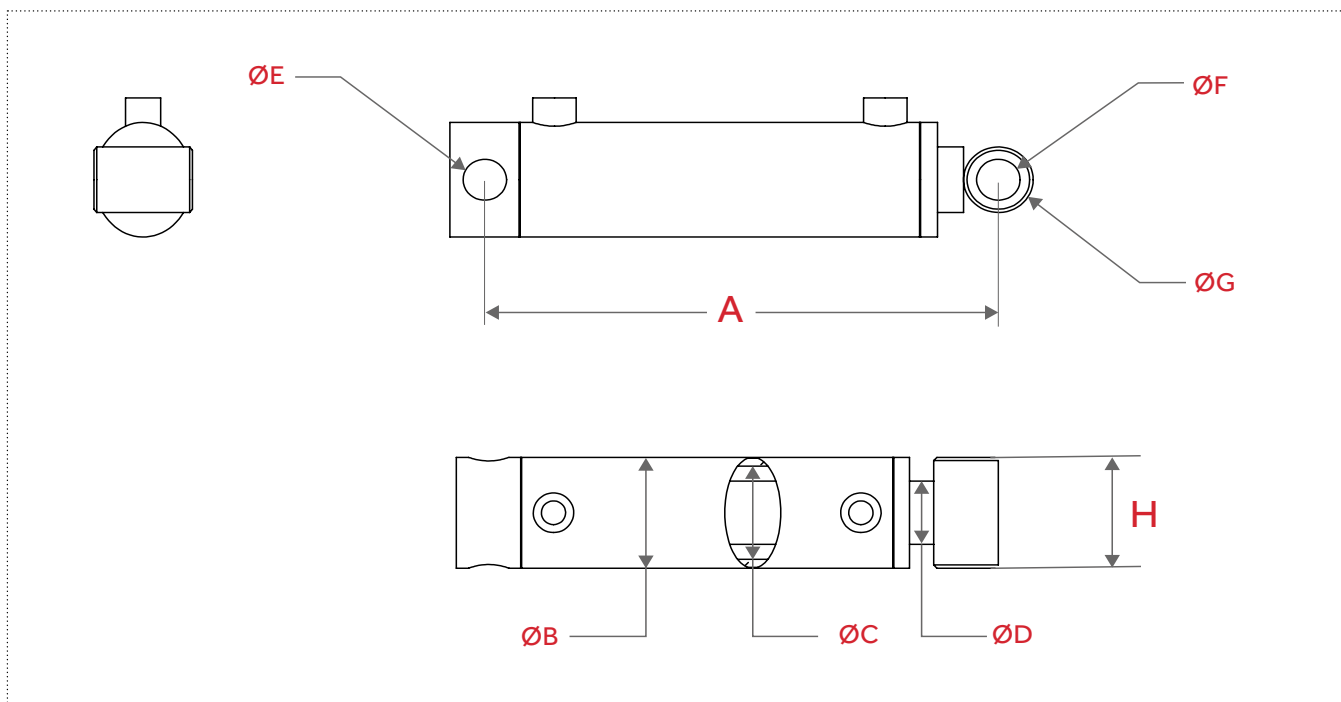


			A	B	C	D	E/F	G	H
CODE	SIZE	STROKE	CLOSED CENTRE	BARREL OUTER DIAMETER	BARREL INNER DIAMETER	ROD	PIN HOLE	BUSHION DIAMETER	BUSHION LENGTH
G3895	12in	105mm	305mm	70mm	60mm	40mm	25mm	45mm	70mm
G3899	13in	130mm	330mm	70mm	60mm	40mm	25mm	45mm	70mm
G3903	15in	180mm	380mm	70mm	60mm	40mm	25mm	45mm	70mm
G3907	18in	260mm	460mm	70mm	60mm	40mm	25mm	45mm	70mm
G3909	20in	310mm	510mm	70mm	60mm	40mm	25mm	45mm	70mm
G19006	22in	360mm	560mm	70mm	60mm	40mm	25mm	50mm	70mm
G3911	22in	360mm	560mm	70mm	60mm	40mm	25mm	45mm	70mm
G3913	24in	410mm	610mm	70mm	60mm	40mm	25mm	45mm	70mm
G3917	26in	460mm	660mm	70mm	60mm	40mm	25mm	45mm	70mm
G3919	28in	510mm	710mm	70mm	60mm	40mm	25mm	45mm	70mm
G3921	30in	560mm	760mm	70mm	60mm	40mm	25mm	45mm	70mm
G3923	32in	610mm	810mm	70mm	60mm	40mm	25mm	45mm	70mm
G3957	34in	665mm	865mm	70mm	60mm	40mm	25mm	45mm	70mm
G3958	36in	710mm	915mm	70mm	60mm	40mm	25mm	45mm	70mm
G3959	48in	1020mm	1220mm	70mm	60mm	40mm	25mm	45mm	70mm
G18513	58in	1270mm	1473mm	70mm	60mm	40mm	25mm	45mm	120mm
G17683	18in	250mm	460mm	80mm	70mm	40mm	25mm	50mm	55mm
G19359	22in	360mm	560mm	80mm	70mm	40mm	25mm	45mm	70mm

HEAVY DUTY DOUBLE ACTING HYDRAULIC RAM



- Heavy Duty Double Acting Hydraulic Ram
- Working pressure: 180 Bar - 2610 PSI
- Max pressure: 250 Bar - 3625 PSI
- Ports: 3/8in BSP
- Finish: Self colour
- All loads calculated at 140 Bar - 2000 PSI
- All Double Action rams can be converted to single action with the use of G17544
- Capacity: 9000kg Push/6200kg Pull

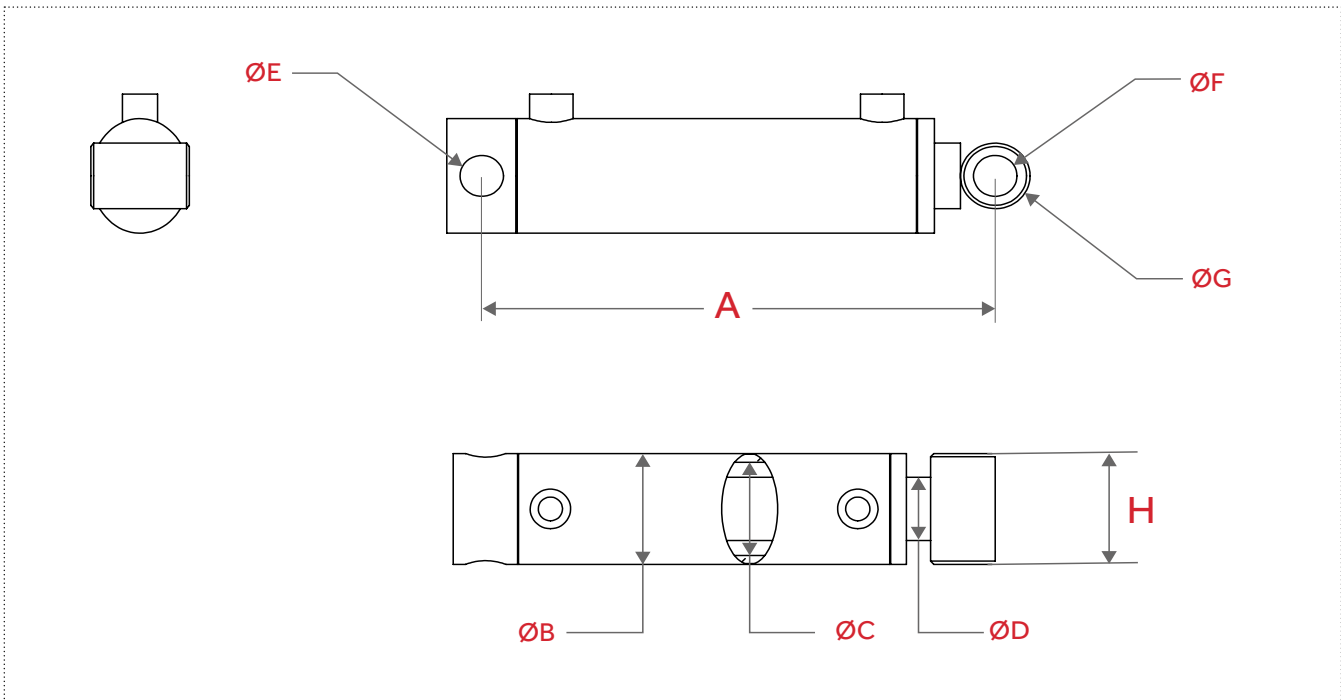


			A	B	C	D	E/F	G	H
CODE	SIZE	STROKE	CLOSED CENTRE	BARREL OUTER DIAMETER	BARREL INNER DIAMETER	ROD	PIN HOLE	BUSHION DIAMETER	BUSHION LENGTH
G12193	24in	410mm	610mm	100mm	90mm	50mm	25mm	45mm	100mm
G12194	28in	510mm	710mm	100mm	90mm	50mm	25mm	45mm	100mm
G12195	32in	610mm	810mm	100mm	90mm	50mm	25mm	45mm	100mm
G12196	36in	715mm	915mm	100mm	90mm	50mm	25mm	45mm	100mm
G12197	40in	815mm	1015mm	100mm	90mm	50mm	25mm	45mm	100mm
G19923	20in	305mm	505mm	100mm	90mm	50mm	30mm	40mm	100mm
G19924	22in	363mm	563mm	100mm	90mm	50mm	30mm	40mm	100mm
G19925	24in	410mm	610mm	100mm	90mm	50mm	30mm	40mm	100mm

DOUBLE ACTING HYDRAULIC SHEARGRAB RAM



- Double Acting Hydraulic Sheargrab Ram
- Working pressure: 180 Bar - 2610 PSI
- Max pressure: 250 Bar - 3625 PSI
- Ports: G10852A & G10853A: 3/8in
- Ports : G10852B & G10854: 1/2in
- Finish: Self colour
- All loads calculated at 140 Bar - 2000 PSI
- All Double Action rams can be converted to single action with the use of G17544
- Capacity: G10852A / G10853A (9000kg Push/6200kg Pull)
- Capacity: G10852B / G10854 (11200kg Push/8400kg Pull)

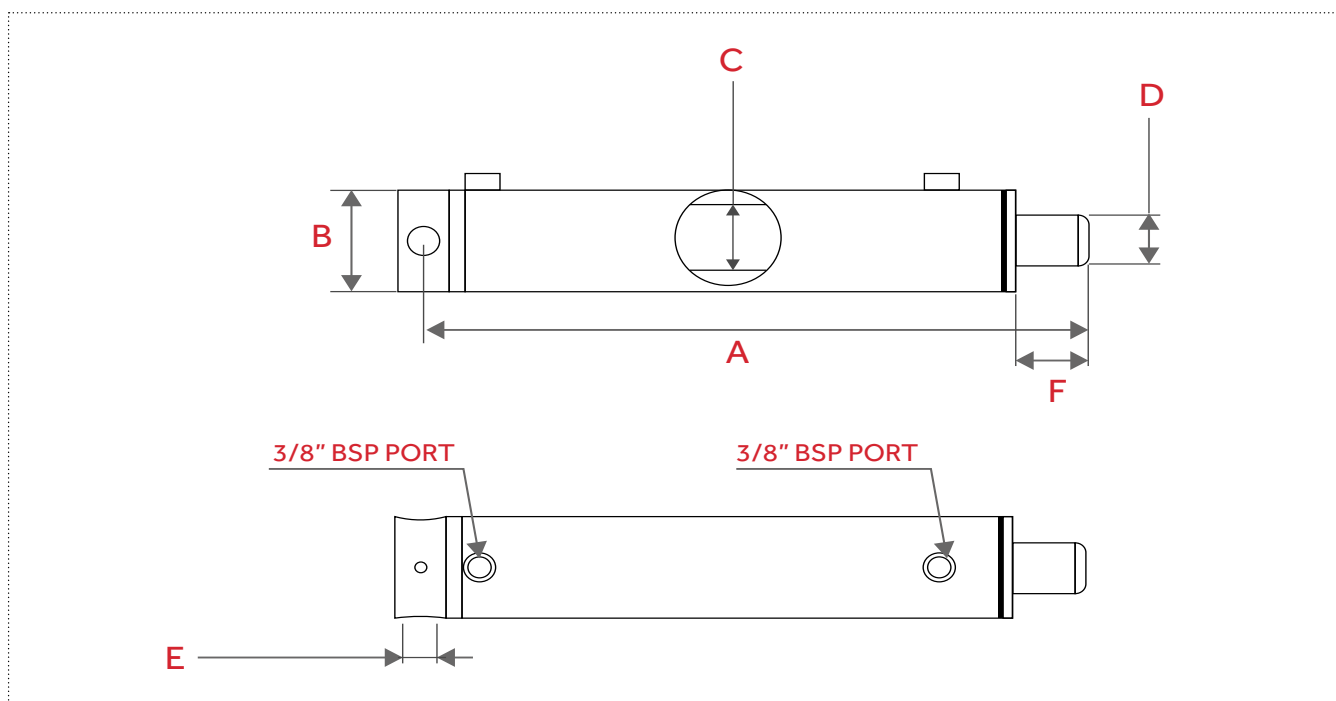


			A	B	C	D	E/F	G	H
CODE	SIZE	STROKE	CLOSED CENTRE	BARREL OUTER DIAMETER	BARREL INNER DIAMETER	ROD	PIN HOLE	BUSHION DIAMETER	BUSHION LENGTH
G10852A	20in	305mm	505mm	100mm	90mm	50mm	25mm	45mm	100mm
G10852B	20in	305mm	505mm	110mm	100mm	50mm	25mm	45mm	110mm
G10853A	22in	363mm	563mm	100mm	90mm	50mm	25mm	45mm	100mm
G10854	22in	363mm	563mm	110mm	100mm	50mm	25mm	45mm	110mm

DOUBLE ACTING HYDRAULIC LOG SPLITTER RAM

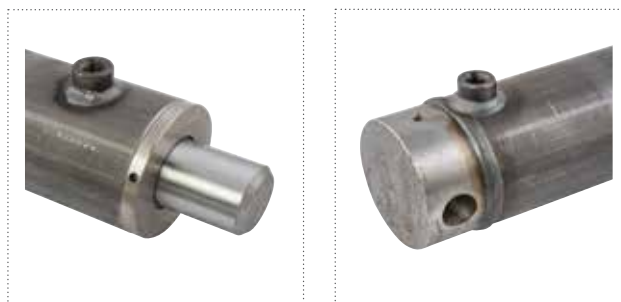


- Double Acting Hydraulic Log Splitter Ram
- Working pressure: 180 Bar - 2610 PSI
- Max pressure: 250 Bar - 3625 PSI
- Ports: 3/8in BSP
- Finish: Self colour
- Loads calculated at 140 Bar - 2000 PSI
- Can be converted to single action with the use of G17544
- Capacity: 9000kg Push/6200kg Pull



			A	B	C	D	E	F
CODE	SIZE	STROKE	CLOSED CENTRE	BARREL OUTER DIAMETER	BARREL INNER DIAMETER	ROD	PIN HOLE	F-SPACE
G10852C	20in	305mm	515mm	100mm	90mm	50mm	25mm	57mm

ADDITIONAL IMAGES



HYDRAULIC AGITATOR RAM WITH SIDE PIPE



- Agitator Ram with Pipe Side
- Working pressure: 180 Bar - 2610 PSI
- Max pressure: 250 Bar - 3625 PSI
- Ports: 3/8in BSP
- Finish: Self colour

CODE	STROKE	CLOSED CENTRE	BARREL OUTER DIAMETER	BARREL INNER DIAMETER	ROD	PIN HOLE	BUSHION DIAMETER	BUSHION LENGTH
G3961A	815mm	1018mm	60mm	50mm	30mm	20mm	40mm	60mm

ADDITIONAL IMAGES



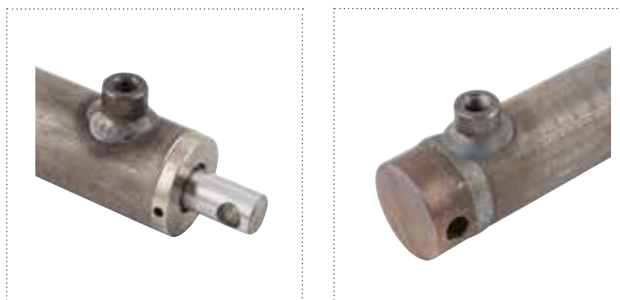
HYDRAULIC CHUTE RAM



- Hydraulic Chute Ram
- Working pressure: 180 Bar - 2610 PSI
- Max pressure: 250 Bar - 3625 PSI
- Ports: 1/4in BSP
- Finish: Self colour

CODE	STROKE	CLOSED CENTRE	BARREL OUTER DIAMETER	BARREL INNER DIAMETER	ROD	PIN HOLE
G3940	100mm	255mm	50mm	40mm	20mm	11.5mm
G3941	250mm	380mm	50mm	40mm	20mm	11.5mm

ADDITIONAL IMAGES



HYDRAULIC POST DRIVER RAM



- Hydraulic Post Driver Ram
- Specially designed for high speed post driving
- Suitable for all post driver manufacturers
- Retracting cylinder
- Finish: Self colour
- Port: 3/4in Breather: 1/4in
- Pin Hole: 25.5mm (fixed end). 20.5mm (bushion end)
- Capacity: 4000kg / 2400kg

CODE	STROKE	CLOSED CENTRE	BARREL OUTER DIAMETER	BARREL INNER DIAMETER	ROD	PIN HOLE	BUSHION DIAMETER	BUSHION LENGTH
G13106	1130mm	1380mm	55mm	45mm	30mm	20.5/25.5mm	40/45mm	45/108mm
G19965	1130mm	1380mm	55mm	45mm	30mm	20.5/25.5mm	40/45mm	45/108mm

ADDITIONAL IMAGES



HYDRAULIC RAM COLLAR



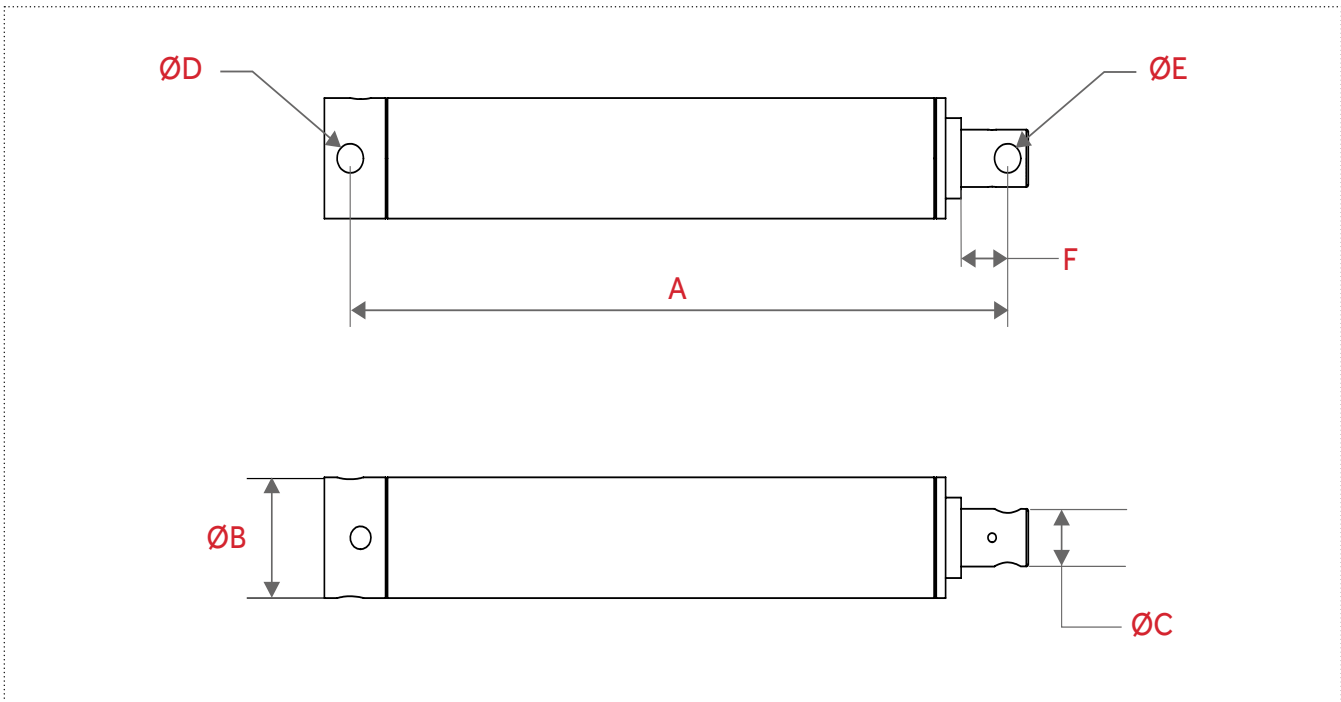
- Hydraulic Ram Collar
- Suitable for all double acting rams with 40/50mm piston

CODE	SIZE
G12613	60/40
G16062	90/50

2-STAGE LIGHT DUTY TRAILER RAM



- 2-Stage Light Duty Trailer Ram
- Low speed for agricultural use
- Suitable for all trailer manufacturers
- Heavy Duty polyurethane seals
- All pistons are fitted with separate bearing rings for added support
- Working pressure: 180 Bar - 2610 PSI
- Max pressure: 250 Bar - 3625 PSI
- Ports: 3/8in BSP
- Finish: Self colour
- Capacity: 4000kg/2000kg



CODE	SIZE	STROKE	A	B	C	D/E	F
			CLOSED CENTRE	BARREL OUTER DIAMETER	ROD	PIN HOLE	F-SPACE
G3941A	21in	700mm	533.5mm	70mm	31.75mm	20mm	38mm
G13922	26in	953mm	660mm	70mm	31.75mm	20mm	38mm

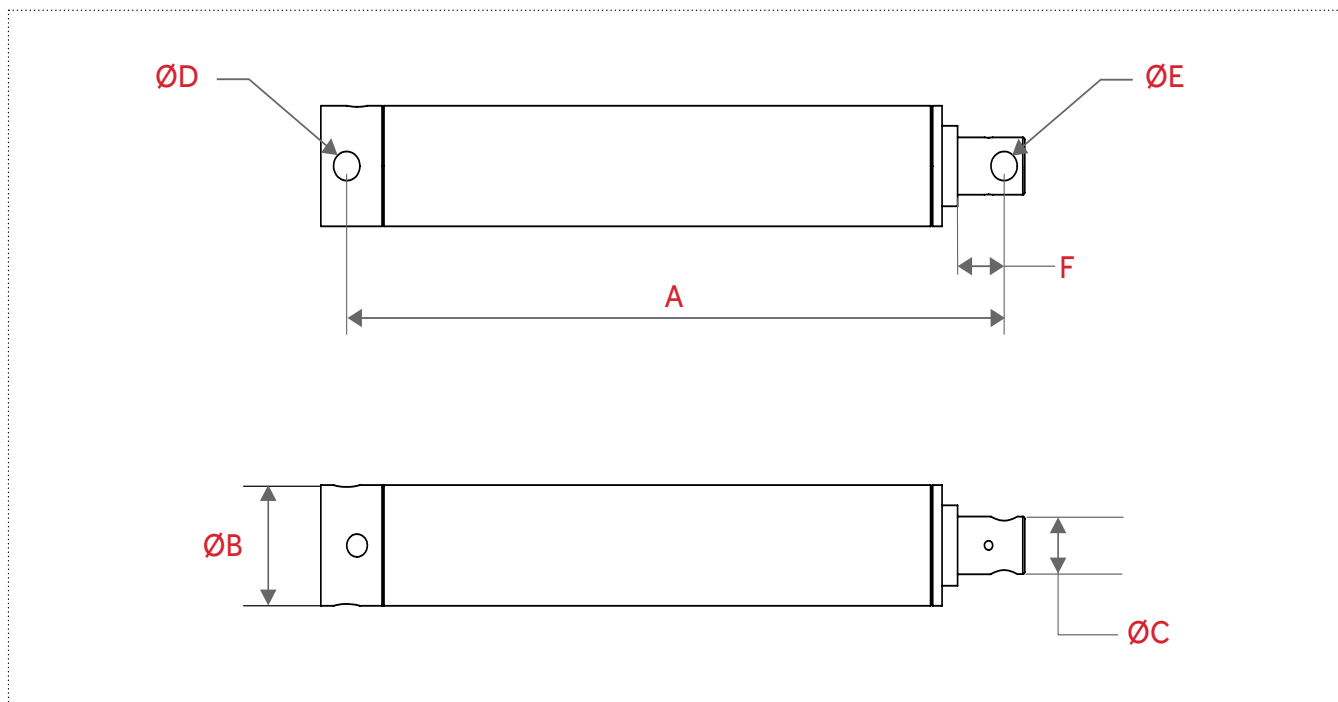
ADDITIONAL IMAGES



2-STAGE STANDARD DUTY TRAILER RAM



- 2-Stage Standard Duty Trailer Ram
- Low speed for agricultural use
- Suitable for all trailer manufacturers
- Heavy Duty polyurethane seals
- All pistons are fitted with separate bearing rings for added support
- Working pressure: 180 Bar - 2610 PSI
- Max pressure: 250 Bar - 3625 PSI
- Ports: 1/2in BSP
- Finish: Self colour
- Capacity: 10000kg/5000kg



			A	B	C	D/E	F
CODE	SIZE	STROKE	CLOSED CENTRE	BARREL OUTER DIAMETER	ROD	PIN HOLE	F-SPACE
G20188	28in	1014mm	711mm	105mm	44.45mm	25.8mm	50mm
G20189	36in	1363mm	914mm	105mm	44.45mm	25.8mm	78.5mm
G3944	36in	1384mm	914mm	105mm	44.5mm	25.4mm	78.5mm

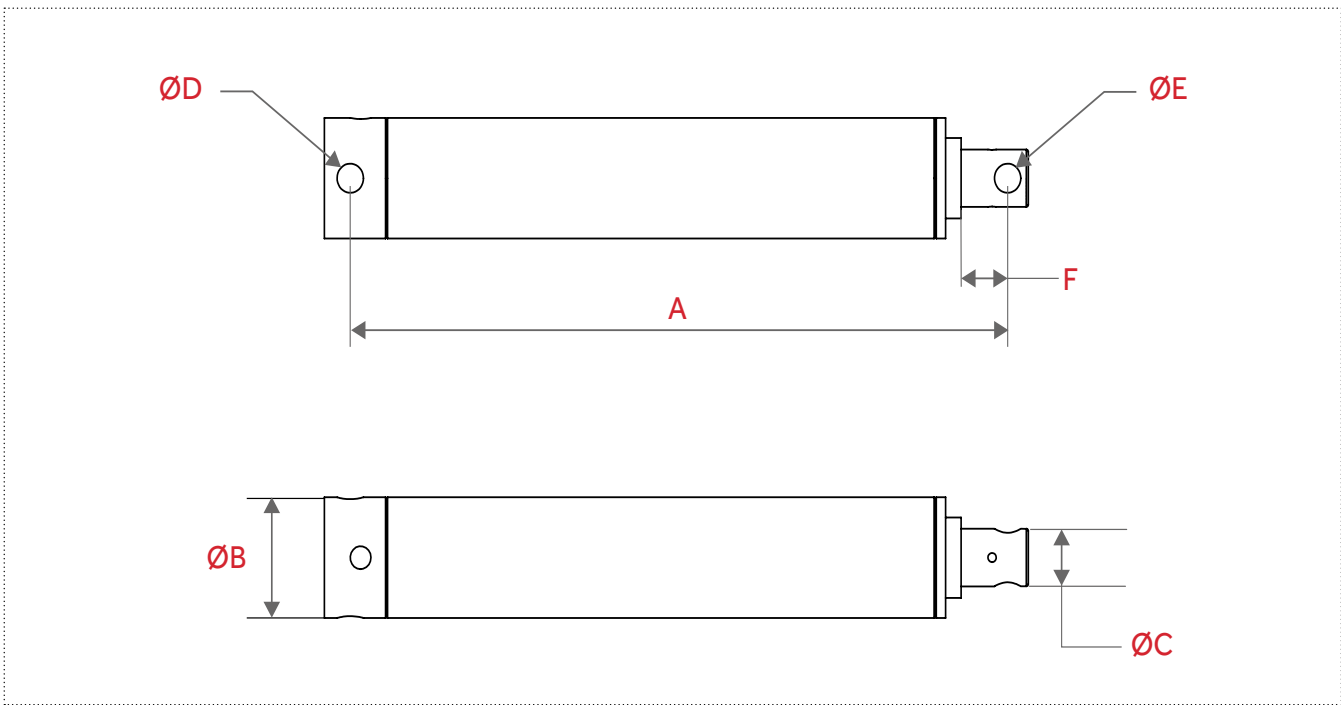
ADDITIONAL IMAGES



2-STAGE HEAVY DUTY TRAILER RAM



- 2-Stage Heavy Duty Trailer Ram
- Low speed for agricultural use
- Suitable for all trailer manufacturers
- Heavy Duty polyurethane seals
- All pistons are fitted with separate bearing rings for added support
- Working pressure: 180 Bar - 2610 PSI
- Max pressure: 250 Bar - 3625 PSI
- Ports: 1/2in BSP
- Finish: Self colour
- Capacity: 12000kg/8000kg



			A	B	C	D/E	F
CODE	SIZE	STROKE	CLOSED CENTRE	BARREL OUTER DIAMETER	ROD	PIN HOLE	F-SPACE
G3945	36in	1370mm	914mm	120mm	50.8mm	31.75mm	50mm
G20191	36in	1370mm	914mm	120mm	50mm	31.75mm	50mm

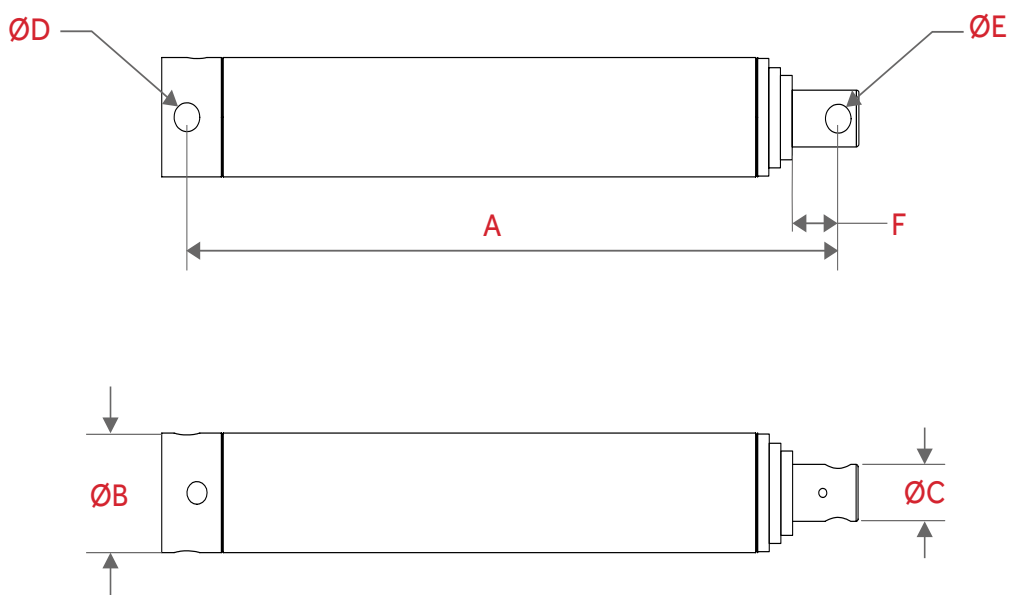
ADDITIONAL IMAGES



3-STAGE STANDARD DUTY TRAILER RAM



- 3-Stage Standard Duty Trailer Ram
- Low speed for agricultural use
- Suitable for all trailer manufacturers
- Heavy Duty polyurethane seals
- All pistons are fitted with separate bearing rings for added support
- Working pressure: 180 Bar - 2610 PSI
- Max pressure: 250 Bar - 3625 PSI
- Ports: 1/2in BSP
- Finish: Self colour
- Capacity: 10000kg/7000kg/4000kg



CODE	SIZE	STROKE	A	B	C	D/E	F
			CLOSED CENTRE	BARREL OUTER DIAMETER	ROD	PIN HOLE	F-SPACE
G3948	28in	1420mm	711mm	105mm	44.5mm	25.4mm	50mm
G3949	36in	1993mm	924mm	105mm	44.5mm	25.4mm	72mm
G19658	36in	1567mm	924mm	105mm	44.45mm	25.8mm	214mm
G20193	36in	1993mm	924mm	105mm	44.45mm	25.8mm	72mm

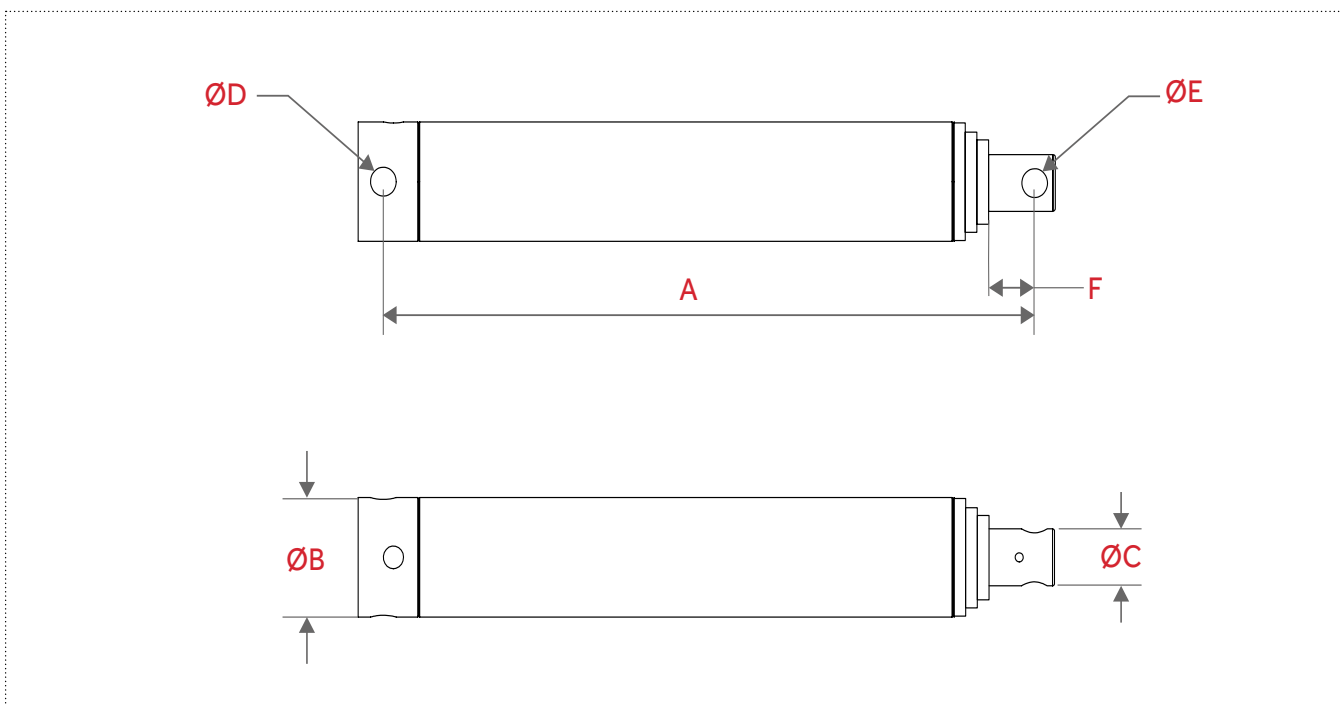
ADDITIONAL IMAGES



3-STAGE STANDARD DUTY TRAILER RAM (CHROME PLATED)



- 3-Stage Heavy Duty Trailer Ram
- Low speed for agricultural use
- Suitable for all trailer manufacturers
- Heavy Duty polyurethane seals
- All pistons are fitted with separate bearing rings for added support
- Working pressure: 180 Bar - 2610 PSI
- Max pressure: 250 Bar - 3625 PSI
- Ports: 1/2in BSP
- Finish: Self colour
- Capacity: 10000kg/7000kg/4000kg
- Chrome plating: In order to provide the highest-grade finish available for these products
- All stages are finished with a hard chrome plate deposit with a thickness of 0.025mm providing excellent resistance to corrosive environments and material
- Whereas non-chrome plated cylinders have a standard mild steel finish and have less resistance to corrosion



			A	B	C	D/E	F
CODE	SIZE	STROKE	CLOSED CENTRE	BARREL OUTER DIAMETER	ROD	PIN HOLE	F-SPACE
G18993	36in	1993mm	924mm	110mm	45mm	25.8mm	74mm

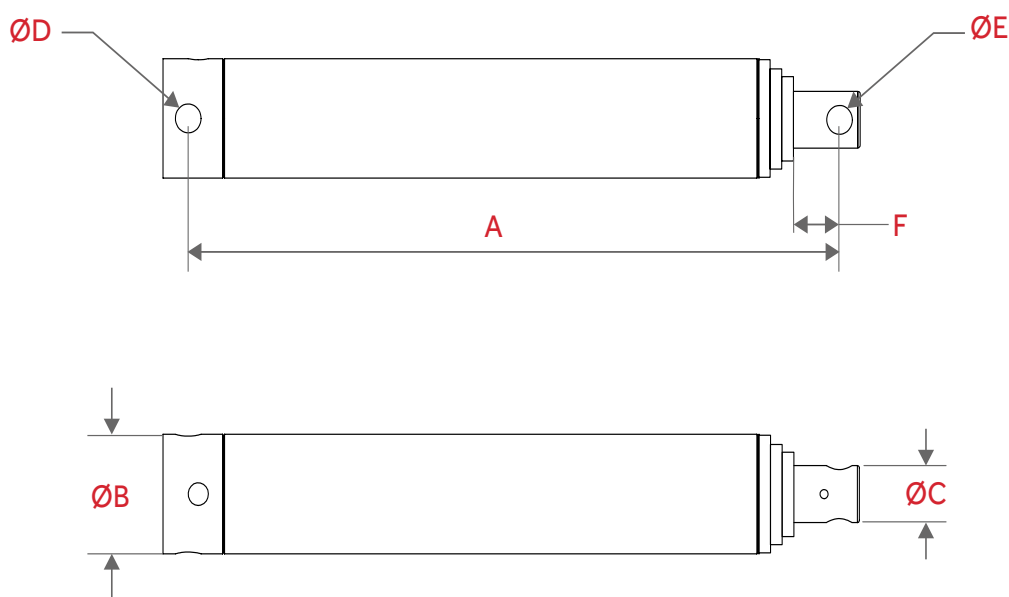
ADDITIONAL IMAGES



3-STAGE HEAVY DUTY TRAILER RAM



- 3-Stage Heavy Duty Trailer Ram
- Low speed for agricultural use
- Suitable for all trailer manufacturers
- Heavy Duty polyurethane seals
- All pistons are fitted with separate bearing rings for added support
- Working pressure: 180 Bar - 2610 PSI
- Max pressure: 250 Bar - 3625 PSI
- Ports: 1/2in BSP
- Finish: Self colour
- Capacity: 13000kg/9000kg/5000kg

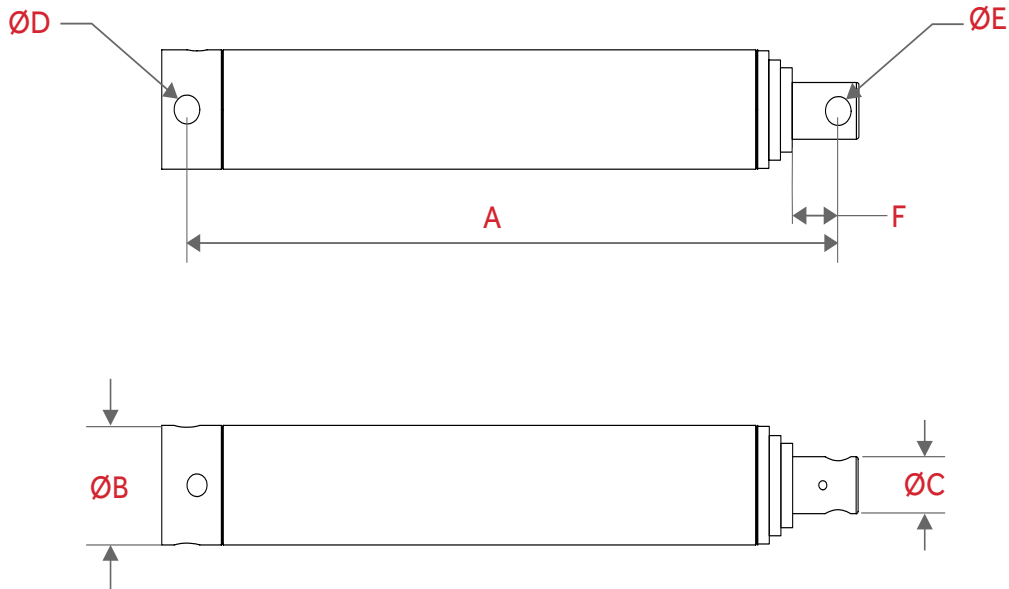


CODE	SIZE	STROKE	A	B	C	D/E	F
			CLOSED CENTRE	BARREL OUTER DIAMETER	ROD	PIN HOLE	F-SPACE
G3950	36in	2032mm	914mm	120mm	50mm	31.75mm	41mm
G20196	36in	2032mm	914mm	120mm	50mm	31.75mm	41mm
G3950A	40in	2323mm	1016mm	120mm	50mm	31.75mm	46mm
G17677	43in	2449mm	1092mm	120mm	50mm	31.75mm	80mm
G20199	43in	2449mm	1092mm	120mm	50mm	31.75mm	80mm
G16578	49in	2821mm	1245mm	120mm	50mm	31.75mm	109mm

3-STAGE HEAVY DUTY TRAILER RAM (CHROME PLATED)



- 3-Stage Heavy Duty Trailer Ram
- Low speed for agricultural use
- Suitable for all trailer manufacturers
- Heavy Duty polyurethane seals
- All pistons are fitted with separate bearing rings for added support
- Working pressure: 180 Bar - 2610 PSI
- Max pressure: 250 Bar - 3625 PSI
- Ports: 1/2in BSP
- Finish: Self colour
- Capacity: 13000kg/9000kg/5000kg
- Chrome plating: In order to provide the highest-grade finish available for these products
- All stages are finished with a hard chrome plate deposit with a thickness of 0.025mm providing excellent resistance to corrosive environments and material
- Whereas non-chrome plated cylinders have a standard mild steel finish and have less resistance to corrosion

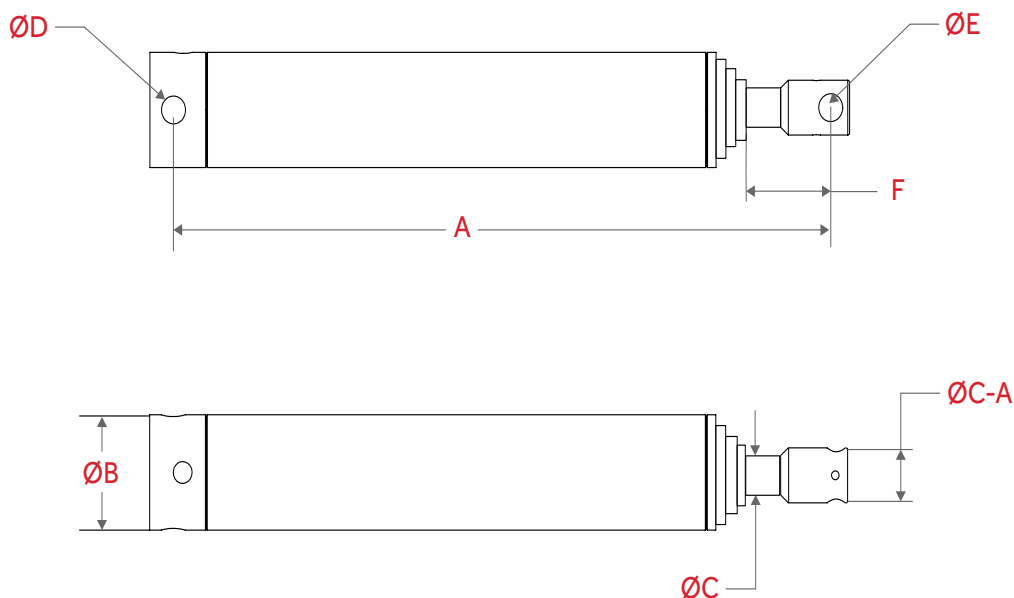


			A	B	C	D/E	F
CODE	SIZE	STROKE	CLOSED CENTRE	BARREL OUTER DIAMETER	ROD	PIN HOLE	F-SPACE
G18225	36in	2032mm	914mm	120mm	50.8mm	31.75mm	41mm
G18197	43in	2449mm	1092mm	120mm	50.8mm	31.75mm	80mm
G18196	49in	2821mm	1245mm	120mm	50.8mm	31.75mm	109mm

4-STAGE HEAVY DUTY TRAILER RAM (CHROME PLATED)

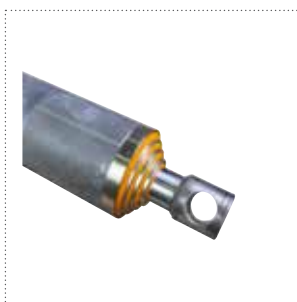


- 4-Stage Heavy Duty Trailer Ram
- Low speed for agricultural use
- Suitable for all trailer manufacturers
- Heavy Duty polyurethane seals
- All pistons are fitted with separate bearing rings for added support
- Working pressure: 180 Bar - 2610 PSI
- Max pressure: 250 Bar - 3625 PSI
- Ports: 1/2in BSP
- Finish: Self colour
- Capacity: 16000kg/11000kg/ 7000kg/ 4000kg
- Chrome Plated
- Chrome plating: In order to provide the highest-grade finish available for these products
- All stages are finished with a hard chrome plate deposit with a thickness of 0.025mm providing excellent resistance to corrosive environments and material
- Whereas non-chrome plated cylinders have a standard mild steel finish and have less resistance to corrosion



			A	B	C	D/E	F
CODE	SIZE	STROKE	CLOSED CENTRE	BARREL OUTER DIAMETER	ROD	PIN HOLE	F-SPACE
G18219	49in	3806mm	1245mm	132mm-Base 146mm	50mm - Bushion 63.5mm	38.5mm	71mm

ADDITIONAL IMAGES



HYDRAULIC FEMALE PORT



- Hydraulic Female Port
- Contains and direct the flow of hydraulic fluid in the conductor while preventing leaks and maintaining pressure
- Finish: Zinc plated
- Material: Carbon steel
- Thread: BSP

CODE	SIZE
G17631	3/8in

BREATHER CAP



- Hydraulic Breather Cap
- Suitable for double acting ram
- Resistant to solvents, oils, greases and other chemical agents
- The sealing disc prevents dust from getting in and oil loss

CODE	SIZE
G17544	3/8in

INTERNAL SPRING BRAKE RAM



- Internal Spring Brake Ram
- Single acting hydraulic brake cylinder
- Suitable for use on agricultural trailers
- Port: 3/8in BSP
- Working Pressure: 150 Bar

CODE	STROKE	CLOSED CENTRE	PIN HOLE	BARREL OUTER DIAMETER	ROD
G3938	80mm	285mm	16mm	50mm	25mm

ADDITIONAL IMAGES



TRAILER BRAKE RAM SINGLE SPRING ASSEMBLY



- Brake Ram Assembly Single Spring
- Single acting hydraulic brake cylinder
- Supplied complete with channel iron frame and external return spring
- Weld on
- Suitable for use on agricultural trailers
- Requires an external spring to close
- Port: 3/8in BSP
- Mounting channel: 150mm (L) x 70mm (W) x 40mm (H) x 6mm (T)
- Working Pressure: 150 Bar
- Ram: Yellow Passivated
- Bracket: Self colour

CODE	STROKE	CLOSED CENTRE	PIN HOLE	BARREL OUTER DIAMETER	ROD
G3939	75mm	211mm	14mm	38mm	20mm
G17203	75mm	211mm	14mm	41mm	25mm

TRAILER BRAKE RAM DOUBLE SPRING ASSEMBLY



- Brake Ram Assembly Double Spring
- Single acting hydraulic brake cylinder
- Supplied complete with channel iron frame and two external return springs
- Weld on
- Suitable for use on agricultural trailers
- Requires an external spring to close
- Port: 3/8in BSP
- Working Pressure: 150 Bar
- Ram: Yellow Passivated
- Bracket: Self colour

CODE	STROKE	CLOSED CENTRE	PIN HOLE	BARREL OUTER DIAMETER	ROD
G18317	75mm	230mm	14mm	38mm	20mm
G17205	75mm	230mm	14mm	50mm	25mm

TRAILER BRAKE RAM ASSEMBLY WITH BOLT-ON BRACKETS



- Trailer Brake Ram Assembly Double Spring
- Single acting hydraulic brake cylinder
- Suitable for bolting onto the air chamber brackets on an axle or similar existing brackets
- Supplied complete with two external return springs
- Suitable for use on agricultural trailers
- Requires an external spring to close
- Ram: Yellow Passivated
- Bracket: Black Matt Paint
- Port: 3/8in BSP

CODE	STROKE	CLOSED CENTRE	PIN HOLE	BARREL OUTER DIAMETER	ROD
G19868	75mm	211mm	14mm	41mm	25mm

TRAILER BRAKE RAM



- Replacement Brake Ram
- Single acting hydraulic brake cylinder
- Replacement brake ram can be bolted onto an existing channel iron frame
- Suitable for use with channel iron frame
- Suitable for use on agricultural trailers
- Requires an external spring to close
- Port: 3/8in BSP
- Working Pressure: 150 Bar
- Finish: Yellow Passivated

CODE	STROKE	CLOSED CENTRE	PIN HOLE	BARREL OUTER DIAMETER	ROD
G3937	75mm	211mm	14mm	38mm	20mm
G17202	75mm	230mm	14mm	41mm	25mm
G17204	75mm	230mm	14mm	50mm	30mm

ADDITIONAL IMAGES

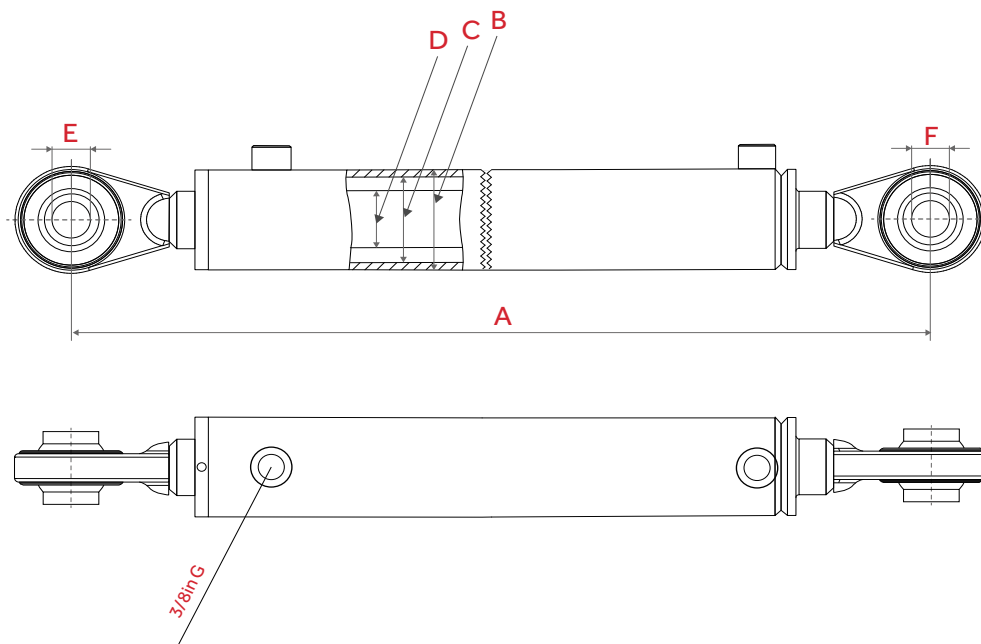


HYDRAULIC TOP LINKS

GENFITT STANDARD CAT 2 X CAT 2 HYDRAULIC TOP LINK



- Standard Cat 2 x Cat 2 Hydraulic Top Link
- Rod: 2 C45 steel
- Piston: 2 C40 steel
- Finish: Black Primer
- Tube: E355 tube
- Head: Cast iron G25
- Port: 3/8in BSP

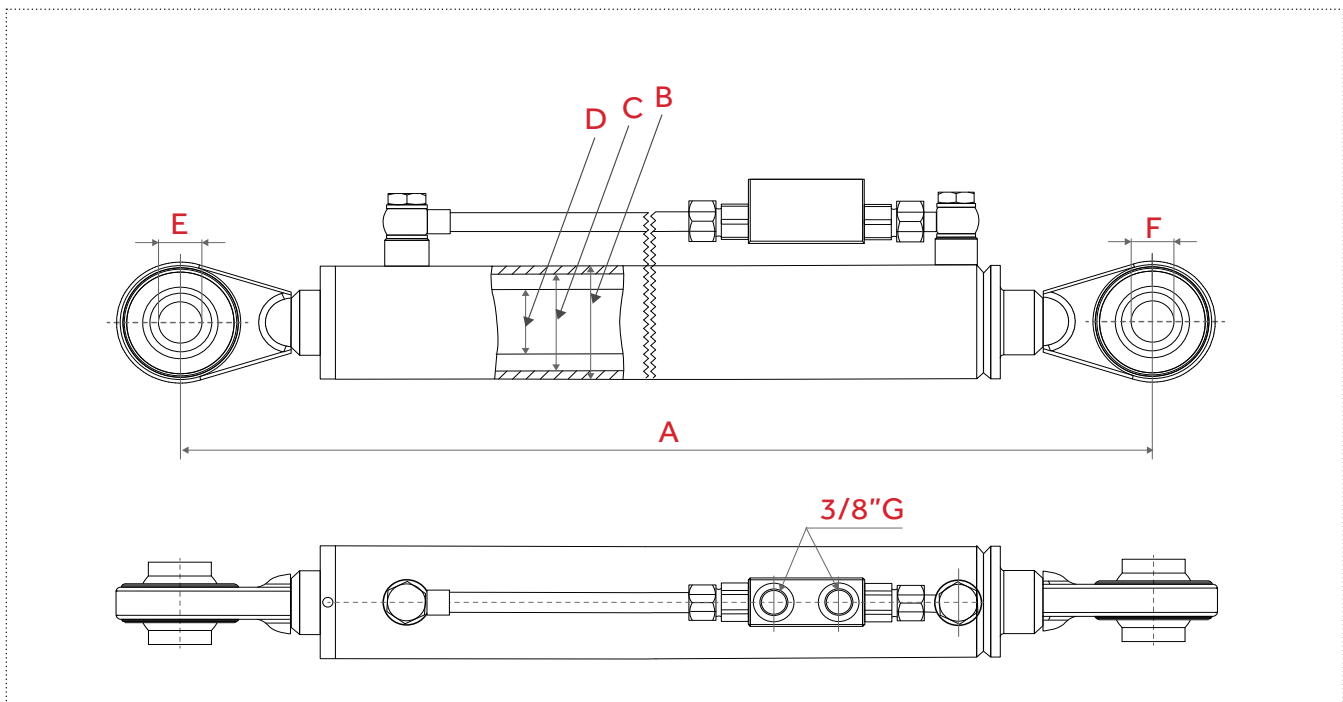


			A	B	C	D	E/F
CODE	SIZE	STROKE	CLOSED CENTRE	BARREL OUTER DIAMETER	BARREL INNER DIAMETER	ROD	PIN HOLE
G19732	18in	175mm	460mm	70mm	60mm	40mm	25.4mm
G19001	20in	225mm	510mm	70mm	60mm	40mm	25.4mm
G19002	22in	275mm	560mm	70mm	60mm	40mm	25.4mm
G19003	24in	325mm	610mm	70mm	60mm	40mm	25.4mm
G19004	26in	375mm	660mm	70mm	60mm	40mm	25.4mm
G19733	24in	325mm	610mm	100mm	90mm	50mm	25.4mm

STANDARD CAT 2 X CAT 2 HYDRAULIC TOP LINK PAINTED WITH ANTI CREEP



- Standard Cat 2 x Cat 2 Hydraulic Top Link Painted with Anti Creep
- Hydraulic top link with standard CAT 2 ball ends both sides
- Pre-assembled with anti-creep safety device to prevent damage or injury in a case of hose bursting
- Finish: Black Primer
- Port: 3/8in BSP



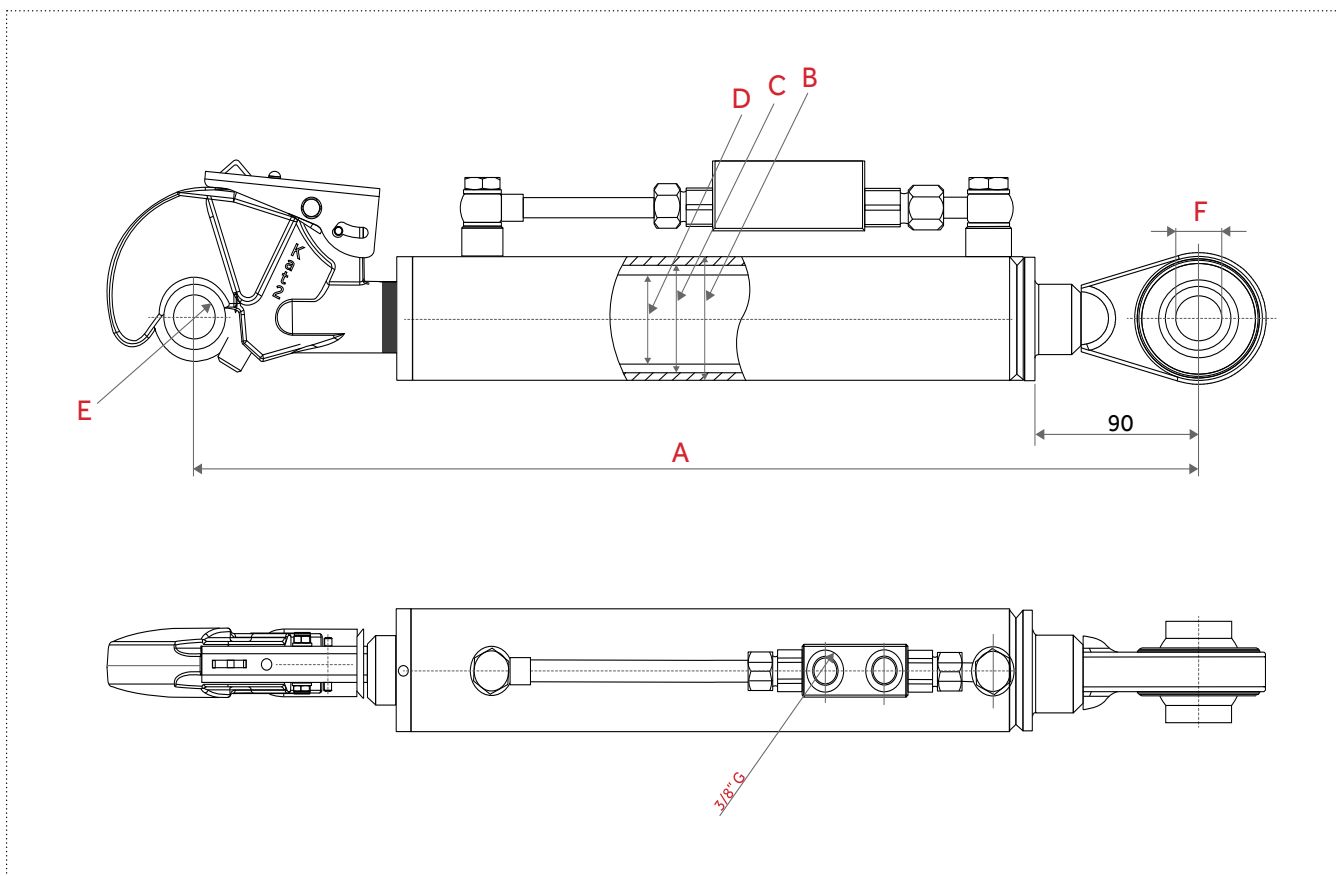
			A	B	C	D	E/F
CODE	SIZE	STROKE	CLOSED CENTRE	BARREL OUTER DIAMETER	BARREL INNER DIAMETER	ROD	PIN HOLE
G19948	18in	175mm	460mm	70mm	60mm	40mm	25.4mm
G19949	20in	225mm	510mm	70mm	60mm	40mm	25.4mm
G19950	22in	275mm	560mm	70mm	60mm	40mm	25.4mm
G19951	24in	325mm	610mm	70mm	60mm	40mm	25.4mm
G19952	26in	375mm	660mm	70mm	60mm	40mm	25.4mm

STANDARD CAT 2 X CAT 2 QUICK ATTACH HYDRAULIC TOP LINK WITH ANTI CREEP / CHECK VALVE

HYDRAULICS



- Standard Quick Attach Hydraulic Top Link with Anti Creep
- Rod: 2 C45 steel
- Piston: 2 C40 steel
- Tube: E355 tube
- Head: Cast iron G25
- Port: 3/8in BSP
- The value for Max Load takes the impact and shock loads experienced by Hydraulic Toplinks into consideration
- Anti-Creep/Check Valve will prevent Hydraulic Top Link from opening when used on tractors which may be experiencing internal valve leakage
- Anti-Creep/Check Valve will also act as a safety device locking the Hydraulic Top link in position in the event of a hose bursting or other failures in the hydraulic system
- Finish: Black Primer



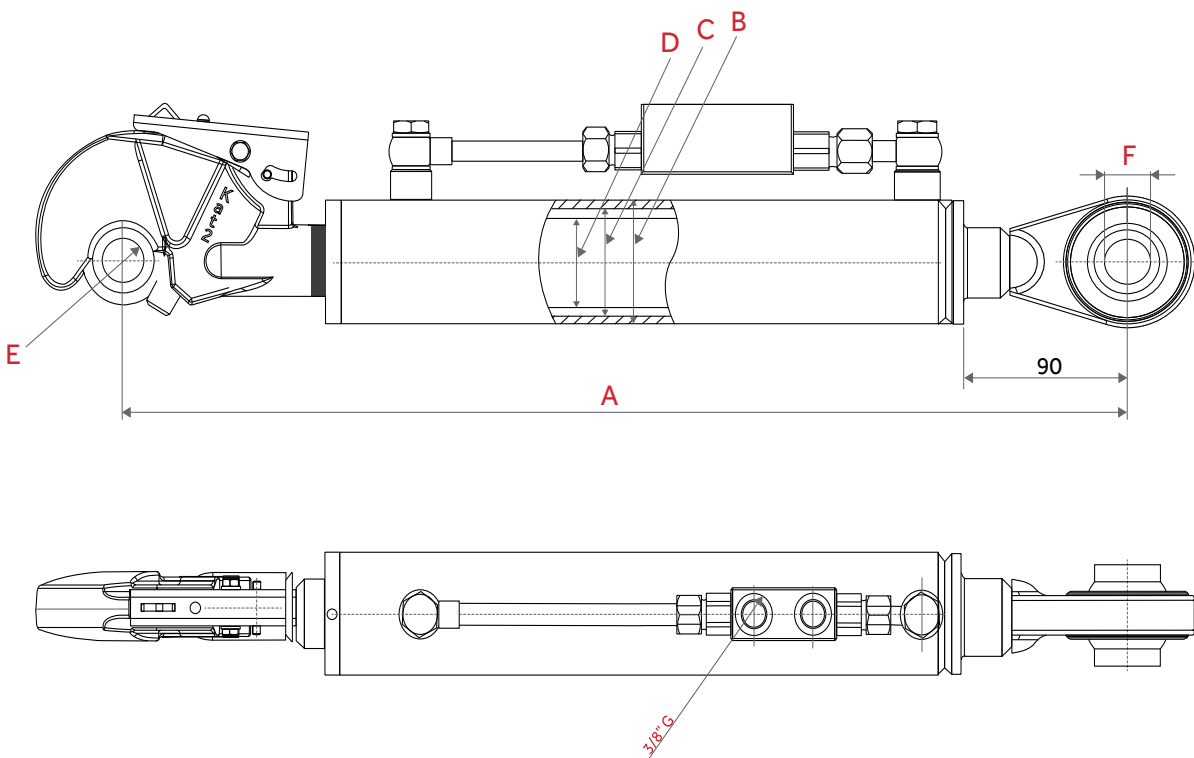
			A	B	C	D	E/F
CODE	SIZE	STROKE	CLOSED CENTRE	BARREL OUTER DIAMETER	BARREL INNER DIAMETER	ROD	PIN HOLE
G17365	25.5in	325mm	650mm	70mm	60mm	40mm	25.4mm

STANDARD CAT 3 X CAT 3 QUICK ATTACH HYDRAULIC TOP LINK WITH ANTI CREEP / CHECK VALVE



- Standard Quick Attach Hydraulic Top Link with Anti Creep
- Rod: 2 C45 steel
- Piston: 2 C40 steel
- Tube: E355 tube
- Head: Cast iron G25
- Port: 3/8in BSP
- The value for Max Load takes the impact and shock loads experienced by Hydraulic Top links into consideration
- Anti-Creep/Check Valve will prevent Hydraulic Top Link from opening when used on tractors which may be experiencing internal valve leakage
- Anti-Creep/Check Valve will also act as a safety device locking the Hydraulic Top link in

HYDRAULICS



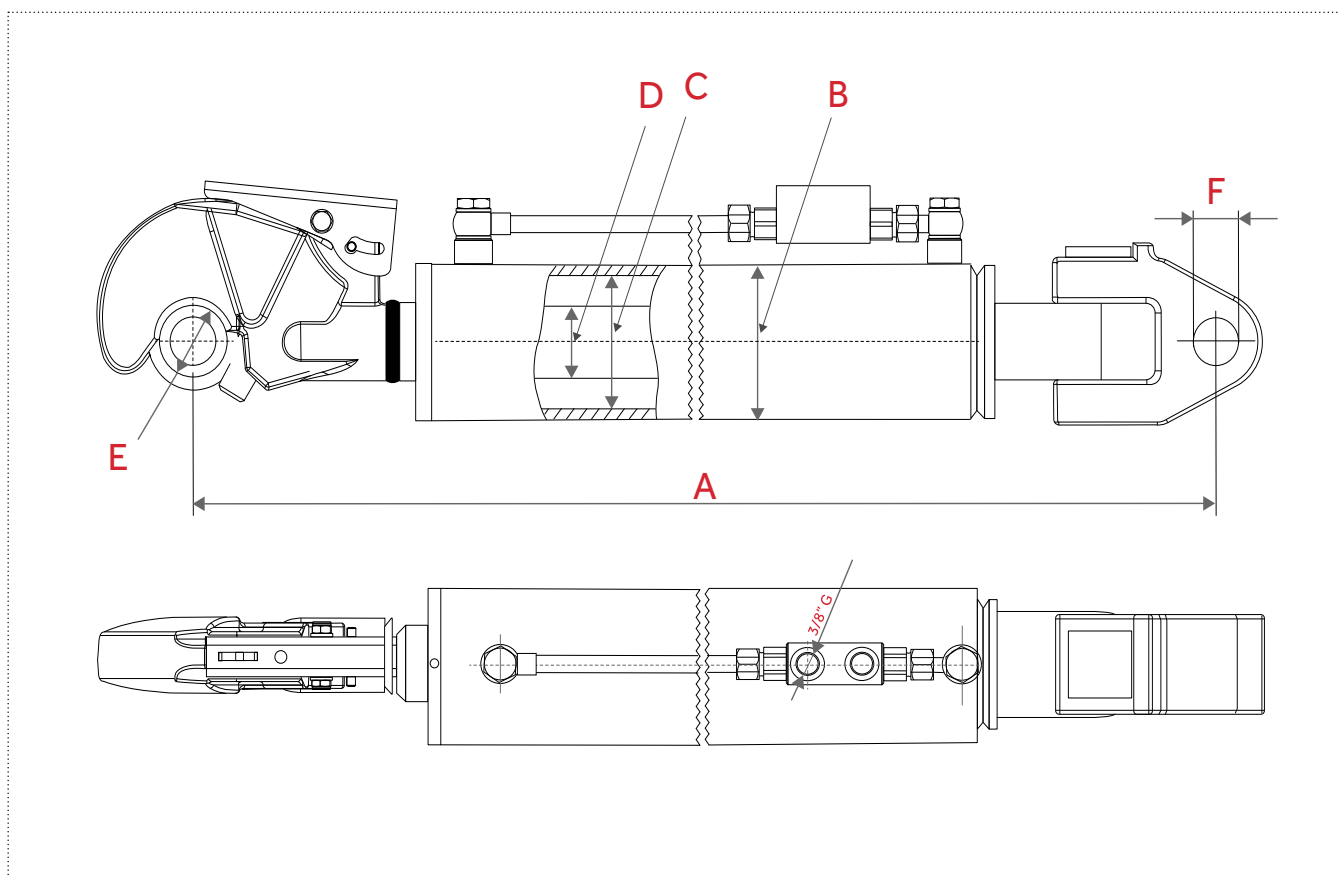
23

			A	B	C	D	E/F
CODE	SIZE	STROKE	CLOSED CENTRE	BARREL OUTER DIAMETER	BARREL INNER DIAMETER	ROD	PIN HOLE
G17366	24in	300mm	610mm	100mm	90mm	50mm	31.75mm
G17367	26in	300mm	660mm	100mm	90mm	50mm	31.75mm

STANDARD CAT 2 & CAT 3 KNUCKLE X QA HYDRAULIC TOP LINK WITH ANTI CREEP



- Standard Knuckle Hydraulic Top Link with Anti Creep
- Hydraulic top link comes with knuckle eye on fixed end and quick attach ball on rod end
- Pre-assembled with anti-creep safety device to prevent damage or injury in a case of hose bursting
- Port: 3/8in BSP
- Finish: Black Primer



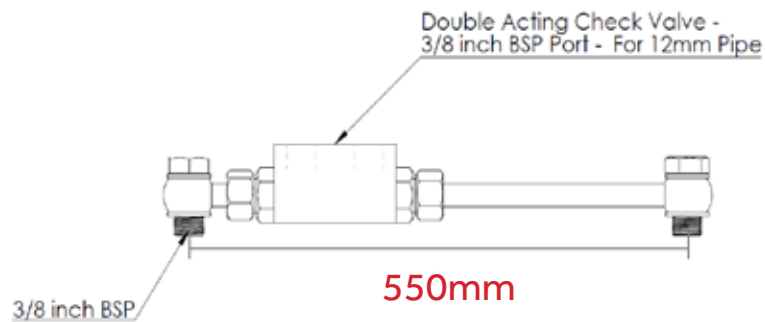
CODE	SIZE	STROKE	A CLOSED CENTRE	B BARREL OUTER DIAMETER	C BARREL INNER DIAMETER	D ROD	E/F PIN HOLE
G18622	22in	205mm	560mm	70mm	60mm	40mm	25.4mm
G18623	24in	255mm	610mm	70mm	60mm	40mm	25.4mm
G19932	22in	205mm	560mm	70mm	60mm	40mm	25.4mm/28mm
G18624	27in	296mm	685mm	100mm	90mm	50mm	31.75mm

CHECK VALVE KIT UP TO 20IN RAM & 26IN TOP LINK



- Top Link Check Valve Kit
- Anti-Creep/Check Valve will prevent Hydraulic cylinders and Top Links from opening when used on tractors which may be experiencing internal valve leakage
- Pilot Ratio: 1:4:6
- Max Pressure: 350 Bar
- Cracking Pressure: 4 Bar
- Anti-Creep/Check Valve will also act as a safety device locking the cylinder in position in the event of a hose bursting or other failures in the hydraulic system
- Suitable for: Hydraulic cylinders with 3/8in ports up to 22in closed centre: i.e. G3899, G3891, G3893, G3895, G3897, G3899, G18208, G3901, G3903, G3907, G3911, G3909, G17683, G3905, G17462, G10854, G10852B, G10853A, G19005, G19006, G10852C
- Suitable for: Hydraulic top links with 3/8in ports up to 26in closed centre: i.e. G3924, G3926, G3926B, G17365, G17366, G17367, G18622, G18623, G18624, G19001, G19002, G19003, G19004

CODE	SIZE	CAPACITY	SUITABILITY
G16962	3/8in	30 LPM	26in top link

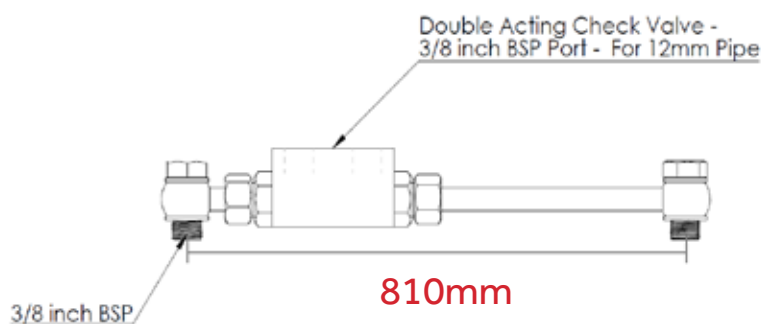


CHECK VALVE KIT UP TO 32IN TOP LINK



- Top Link Check Valve Kit
- Anti-Creep/Check Valve will prevent Hydraulic cylinders and Top Links from opening when used on tractors which may be experiencing internal valve leakage
- Anti-Creep/Check Valve will also act as a safety device locking the cylinder in position in the event of a hose bursting or other failures in the hydraulic system
- Pilot Ratio: 1:4:6
- Max Pressure: 350 Bar
- Cracking Pressure: 4 Bar

CODE	SIZE	CAPACITY	SUITABILITY
G18079	3/8in	30 LPM	32in top link



HYDRAULIC HOSES

HYDRAULIC HOSE 2 WIRE EN853 2SN



- Standard: DIN EN 853 2SN/2ST - SAE 100 R2AT
- Tube: Mineral, vegetable and hydraulic oil resistant special synthetic rubber
- Reinforcement: Two high tensile steel wire braids
- Cover: Oil, Abrasion and Weather resistant special synthetic rubber
- Temperature range: -40° to +100° C
- Application: For use on Industrial and Agricultural Hydraulic Systems
- Roll size: all items come in a 50m roll
- G2073 & G2074 come in a 30m roll
- Order hose per metre

CODE	SIZE	OUTER DIAMETER	INNER DIAMETER	MAX PRESSURE	BURSTING PRESSURE
G2069	1/4in	15.7mm	DN 6mm - 1/4in	400 Bar	1,600 Bar
G2070	3/8in	19.7mm	DN 10mm - 3/8in	330 Bar	1,320 Bar
G2071	1/2in	23mm	DN 12mm - 1/2in	275 Bar	1,100 Bar
G2072	5/8in	25.4mm	DN 16mm - 5/8in	250 Bar	1,000 Bar
G2073	3/4in	29.3mm	DN 19mm - 3/4in	215 Bar	860 Bar
G2074	1in	38.1mm	DN 25mm - 1in	165 Bar	660 Bar

HYDRAULIC HOSE 2 WIRE EN857 2SC



- Compact Flexible EN857 2SC Hydraulic Hose
- Application: for use on Industrial and Agricultural Hydraulic Systems
- Standard: DIN EN 857 2SC - SAE 100 R16
- Tube: Mineral, Vegetable and Hydraulic oil resistant special synthetic rubber
- Reinforcement: Two High Tensile Steel Wire Braids
- Cover: Oil, Abrasion and Weather resistant special synthetic rubber
- Roll size: Comes in a 50m roll
- G20259 comes in a 30m roll
- Order hose per metre

CODE	SIZE	OUTER DIAMETER	INNER DIAMETER	MAX PRESSURE	BURSTING PRESSURE
G19755	1/4in	14.2mm	DN 6mm - 1/4in	400 Bar	1,600 Bar
G19756	3/8in	15.6mm	DN 10mm - 3/8in	330 Bar	1,320 Bar
G20258	1/2in	21.5mm	DN 12mm - 1/2in	275 Bar	1,100 Bar
G20259	3/4in	28.6mm	DN 19mm - 3/4in	215 Bar	860 Bar

HYDRAULIC HOSE MULTI SPIRAL 4 WIRE EN856 4SP



- Hose, made up from synthetic rubber tube, with 4 high tensile steel wire spirals, synthetic rubber cover MSHA flame retardant approved
- Main applications include high pressure system with extreme high pressure peaks for use with hydraulic oils, both mineral and biological, water-oil emulsions and water
- Temperature range for hydraulic oils: -40° Celsius to +100° Celsius
- Bend radius: 340mm
- Standards made to: EN856 4SP & SAE 100 R12
- Order hose per metre

CODE	SIZE	OUTER DIAMETER	INNER DIAMETER	MAX PRESSURE	BURSTING PRESSURE
G2184	1/2in	22.3mm	DN 12mm - 1/2in	420 Bar	1,680 Bar
G2185A	3/4in	30.2mm	DN 19mm - 3/4in	350 Bar	1,400 Bar
G2185B	1in	37.3mm	DN 25mm - 1in	280 Bar	1,120 Bar

TOP LINK HYDRAULIC HOSE KIT



- Top Link Hydraulic Hose Kit
- High quality hydraulic hose kit
- Make sure to check your hydraulic hoses regularly for stress, wear and damage
- Check the specifications of your tractor before purchasing any top link to ensure you get the correct one

Kit includes:

- x2 3ft x 3/8in 2SN hydraulic hose assemblies
- x2 Male quick release hydraulic couplings
- x2 3/8in bonded seals
- x2 3/8in male x male hydraulic adaptors

CODE	SIZE
G19358	3ft 6in

SINGLE HYDRAULIC HOSE CLAMP



- Single Hydraulic Hose Clamp
- Designed to enable fixing of straight and bent, tubes and hoses
- The clamp body is a square/open design with ribbed bore
- Resistant to cold
- High abrasion resistance & high-tensile strength
- Manufactured : DIN 3015
- Temperature range : -30°C to +90°C
- Polypropylene jaws : Other material and combinations available on request

CODE	SIZE
G15903	3/8in
G16584	1/2in

TWIN HYDRAULIC HOSE CLAMP



- Twin Hydraulic Hose Clamp
- Designed to enable fixing of straight and bent, tubes and hoses
- Square, open design clamp body with a ribbed bore
- Reset capability
- High-tensile strength & high abrasion resistance
- Resistant to cold
- Manufactured : DIN 3015
- Temperature range : -30°C to +90°C
- Polypropylene jaws : Other material and combinations available on request

CODE	SIZE
G3931A	1/4in
G3931B	3/8in
G3931C	1/2in

HYDRAULIC PROTECTIVE COVERS

SPIRAL GUARD COVER



- Neatly tidies your cables, bundling them with a zip-like action
- Easy to use at home or the workshop
- Fully reusable & can be cut to size
- Flame retardant anti-static spiral guard
- Standard hosing spiral guard protection
- Designed to protect single and multiple hydraulic and pneumatic hosing from tangling, abrasions etc.
- Order per metre

CODE	OUTER DIAMETER	INNER DIAMETER	LENGTH	MATERIAL
G18765	20mm	16mm	50 metre	Black HDPE
G18766	25mm	21mm	50 metre	Black HDPE
G18767	32mm	27mm	50 metre	Black HDPE
G18768	40mm	34mm	50 metre	Black HDPE
G18769	50mm	44mm	20 metre	Black HDPE

ANTI-BURST HOSE SLEEVE



- Helix sleeve Anti-Burst protection sleeve
- International standards recommend the use of external protection for all hydraulic high pressure hoses exposed to possible external damage
- Abrasion protection for hydraulic hosing to protect people operating near by hydraulic hoses in cases of pin hole leaks
- Resistant to alkalis, acids, oils and most solvents
- Working temperature: -25° Celsius to + 100° Celsius
- Meets EN ISO 3457
- Order per metre

CODE	WIDTH	INNER DIAMETER	LENGTH	MATERIAL
G18774	33mm	20mm	25 metre	Polypropylene yarn
G18775	41mm	25mm	25 metre	Polypropylene yarn
G18776	49mm	30mm	25 metre	Polypropylene yarn
G18777	57mm	35mm	25 metre	Polypropylene yarn
G18778	65mm	40mm	25 metre	Polypropylene yarn

ANTI-BURST SLEEVE CRIMP O-CLIP



- Anti-Burst Sleeve Crimp O-Clip
- Double ear O clip used for crimping Anti-burst protection sleeve to hydraulic hoses
- Useful for extremely small hoses
- Widely used for maintenance and OEM applications
- Mainly used on air, fluid, gas and steam lines
- Suitable for low pressure hydraulic applications
- Material: Mild Steel

CODE	SIZE	RANGE
G18785	3/8in	8-11mm
G18786	7/16in	9-12mm
G18787	1/2in	11-13mm
G18788	9/16in	13-15mm
G18790	5/8in	15-18mm
G18792	13/16in	19-21mm
G18794	15/16in	22-25mm



HYDRAULIC INSERTS

R2T SWAGED FERRULE



- R2T Swaged Ferrule
- Used for fastening, joining, sealing or reinforcing inserts

CODE	SIZE	STANDARD	FINISH
G3303	1/4in	R2T	Zinc Plated
G3304	3/8in	R2T	Zinc Plated
G3305	1/2in	R2T	Zinc Plated
G3306	5/8in	R2T	Zinc Plated
G3307	3/4in	R2T	Zinc Plated
G3308	1in	R2T	Zinc Plated

MULTI-SPIRAL FERRULE



- Multi-Spiral Ferrule
- Suitable for a multi spiral hose
- Used for fastening, joining, sealing or reinforcing inserts

CODE	SIZE	STANDARD	FINISH
G13739	3/8in	R9R - R10	Zinc Plated
G13740	1/2in	R9R - R10	Zinc Plated
G13742	3/4in	R9R - R10	Zinc Plated

NON SKIVE FERRULE



- Non-Skive Ferrule
- Used for fastening, joining, sealing or reinforcing inserts

CODE	SIZE	FINISH
G17882	3/4in	Zinc Plated
G17877	1in	Zinc Plated

BSP 2-PIECE SWAGE MALE INSERT

- BSP 2-Piece Swage Male Insert
- Swage BSP insert



CODE	SIZE	SEAT
G13146	1/4in	60°
G13147	3/8in	60°
G13576	3/8in Hosetail x 1/2in Male Thread	60°
G13148	1/2in	60°
G13149	5/8in	60°
G13150	3/4in	60°
G13151	1in	60°

BSP 2-PIECE SWAGE FEMALE INSERT

- BSP 2-Piece Swage Female Insert
- Swage BSP insert



CODE	SIZE	SEAT
G13139	1/4in	60°
G17884	1/4in Hosetail x 3/8in Female Thread	60°
G18249	3/8in Hosetail x 1/2in Female Thread	60°
G13140	3/8in	60°
G13141	1/2in	60°
G13143	5/8in	60°
G13144	3/4in	60°
G13145	1in	60°

BSP 2-PIECE SWAGE 90° SWEPT FEMALE INSERT

- BSP 2-Piece Swage 90° Swept Female Insert



CODE	SIZE	SEAT
G13152	1/4in	60°
G13153	3/8in	60°
G18141	1/4in Hosetail x 3/8in Female Thread	60°
G13154	1/2in	60°
G13155	5/8in	60°
G13156	3/4in	60°
G13157	1in	60°

BSP 2-PIECE COMPACT 90° INSERT



- BSP 2-Piece Compact 90°
- Female Insert

CODE	SIZE	SEAT
G15292	1/4in	60°
G13792	3/8in	60°
G13795	1/2in	60°

BSP 2-PIECE SWAGE 45° INSERT



- Genfitt BSP 2-Piece Swage 45° Female Insert

CODE	SIZE	SEAT
G15682	3/8in	60°
G14135	1/2in	60°
G16353	3/4in	60°

JIC 2-PIECE SWAGE MALE INSERT



- JIC 2-Piece Swage Male Insert
- Finish: Zinc plated

CODE	SIZE	SEAT
G13187	1/4in - 7/16in	37°
G13188	1/4in - 1/2in	37°
G13189	1/4in - 9/16in	37°
G13190	3/8in - 9/16in	37°
G13191	3/8in - 3/4in	37°
G13193	1/2in - 3/4in	37°
G13194	1/2in - 7/8in	37°
G13195	5/8in - 7/8in	37°
G13196	5/8in - 1.1/16in	37°
G13197	3/4in - 1.1/16in	37°

JIC 2-PIECE SWAGE FEMALE INSERT



- JIC 2-Piece Swage Female Insert
- Finish: Zinc plated

CODE	SIZE	SEAT
G13201	1/4in - 7/16in	37°
G14340	1/4in - 9/16in	37°
G13203	3/8in - 9/16in	37°
G13204	1/2in - 3/4in	37°
G14025	3/8in - 3/4in	37°
G14026	1/2in - 7/8in	37°
G13205	5/8in - 7/8in	37°
G13206	5/8in - 1.1/16in	37°
G13207	3/4in - 1.1/16in	37°
G14342	3/4in - 1.3/16in	37°

JIC 2-PIECE SWAGE 90° INSERT



- JIC 2-Piece Swage 90° Female Insert
- Swage JIC hydraulic insert
- Finish: Zinc plated

CODE	SIZE	SEAT
G14011	1/4in - 7/16in	37°
G14012	1/4in - 1/2in	37°
G14013	1/4in - 9/16in	37°
G14014	3/8in - 9/16in	37°
G14015	3/8in - 3/4in	37°
G14016	1/2in - 3/4in	37°
G14017	1/2in - 7/8in	37°
G14018	5/8in - 7/8in	37°
G14019	5/8in - 1.1/16in	37°
G14020	3/4in - 1.1/16in	37°

JIC 2-PIECE SWAGE 45° INSERT



- JIC 2-Piece Swage 45° Female Insert
- Swage JIC hydraulic insert
- Finish: Zinc plated

CODE	SIZE	SEAT
G18159	9/16in - 3/8in Hose	37°
G14138	3/4in - 1.1/16in	37°
G14139	1in - 1.5/16in	37°

METRIC 2-PIECE SWAGE MALE INSERT

- Metric 2-Piece Swage Male Insert
- Finish: Zinc plated



CODE	SIZE	SEAT
G13158	1/4in - 12mm	24°
G13159	1/4in - 14mm	24°
G13160	1/4in - 16mm	24°
G13161	3/8in - 16mm	24°
G13162	3/8in - 18mm	24°
G14847	3/8in - 20mm	24°
G13163	3/8in - 22mm	24°
G13165	1/2in - 22mm	24°
G14825	1/2in - 24mm	24°

METRIC 2-PIECE SWAGE FEMALE INSERT

- Metric 2-Piece Swage Female Insert
- Finish: Zinc plated



CODE	SIZE	SEAT
G13170	1/4in - 12mm	24°
G13171	1/4in - 14mm	24°
G13172	1/4in - 16mm	24°
G13173	3/8in - 16mm	24°
G13174	3/8in - 18mm	24°
G13176	1/2in - 22mm	24°
G13177	5/8in - 26mm	24°
G13178	3/4in - 30mm	24°
G14828	1/2in - 24mm	24°
G14848	3/8in - 20mm	24°

METRIC 2-PIECE SWAGE 90° INSERT



- Metric 2-Piece Swage 90° Female Insert
- Finish: Zinc plated

CODE	SIZE	SEAT
G14106	1/4in - 12mm	24°
G13180	1/4in - 14mm	24°
G13181	1/4in - 16mm	24°
G14347	3/8in - 16mm	24°
G13182	3/8in - 18mm	24°
G14849	3/8in - 20mm	24°
G14348	3/8in - 22mm	24°
G13183	1/2in - 22mm	24°
G14831	1/2in - 24mm	24°
G13184	5/8in - 26mm	24°

METRIC 2-PIECE SWAGE 45° INSERT



- Genfitt Metric 2-Piece Swage 45° Female Insert
- Finish: Zinc plated

CODE	SIZE	SEAT
G16193	5/8in - 30mm	24°

BANJO 2-PIECE SWAGE INSERT



- Banjo 2 Piece Swage Insert
- Finish: Zinc plated

CODE	SIZE
G14941	1/4in - 16mm
G3299	3/8in - 16mm
G3300	3/8in - 18mm
G15631	3/8in - 20mm

2-PIECE MALE SWAGE ORFS INSERT



- 2-Piece Male Swage ORFS Insert
- Hydraulic insert
- Finish: Zinc plated

CODE	SIZE	SEAT
G18227	1/2in - 1in	Flat

2- PIECE FEMALE SWAGE ORFS INSERT



- 2-Piece Female Swage ORFS Insert
- Hydraulic insert
- Finish: Zinc plated

CODE	SIZE	SEAT
G18288	1/4in - 9/16in	Flat
G18491	3/8in - 11/16in	Flat
G14278	1/2in - 1.3/16in	Flat
G18228	3/4in - 1.3/16in	Flat
G14281	3/4in - 1.3/16in	Flat
G14283	1in - 1.7/16in	Flat

2- PIECE 90° SWAGE ORFS INSERT



- 2 Piece 90° Swage ORFS Female Insert
- Hydraulic insert
- Finish: Zinc plated

CODE	SIZE	SEAT
G18290	1/4in - 9/16in	Flat
G18226	3/8in - 11/16in	Flat
G14284	1/2in - 1.3/16in	Flat

REUSABLE FERRULES



- Reusable Ferrule
- Suitable for all double wire hoses
- Used for fastening, joining, sealing or reinforcing inserts
- Finish: Zinc plated

CODE	SIZE
G3604	1/4in
G3605	3/8in
G3606	1/2in
G3608	3/4in

BSP REUSABLE MALE INSERT



- BSP Reusable Male Insert
- Finish: Zinc plated

CODE	SIZE	SEAT
G13315	1/4in	60°
G13316	3/8in	60°
G13317	1/2in	60°

BSP REUSABLE FEMALE INSERT



- BSP Reusable Female Insert
- Finish: Zinc plated

CODE	SIZE	SEAT
G13323	1/4in	60°
G13324	3/8in	60°
G13325	1/2in	60°
G13326	5/8in	60°

BSP REUSABLE 90° INSERT



- BSP Reusable Female 90° Insert
- Finish: Zinc plated

CODE	SIZE	SEAT
G13331	1/4in	60°
G13332	3/8in	60°
G13333	1/2in	60°

HYDRAULIC ADAPTORS

BSP MALE X MALE ADAPTOR



- BSP Male x Male Adaptor
- BSP Hydraulic Adaptor
- Finish: Zinc plated

CODE	SIZE	TYPE
G3467	1/8in x 1/8in	M x M
G3636	1/8in x 1/4in	M x M
G3469	1/4in x 1/4in	M x M
G3475	1/4in x 3/8in	M x M
G3476	1/4in x 1/2in	M x M
G3470	3/8in x 3/8in	M x M
G3478	3/8in x 1/2in	M x M
G3479	3/8in x 5/8in	M x M
G3480	3/8in x 3/4in	M x M
G3471	1/2in x 1/2in	M x M
G3481	1/2in x 5/8in	M x M
G3482	1/2in x 3/4in	M x M
G13296	1/2in x 1in	M x M
G3483	5/8in x 3/4in	M x M
G3473	3/4in x 3/4in	M x M
G3485	3/4in x 1in	M x M
G3474	1in x 1in	M x M
G13573	1in x 1.1/4in	M x M
G3486	1.1/4in x 1/4in	M x M



BSP MALE X FEMALE ADAPTOR



- BSP Male x Female Adaptor
- Hydraulic adaptor
- Finish: Zinc plated

CODE	SIZE	TYPE
G3509	1/4in x 1/4in	M x F
G3510	1/4in x 3/8in	M x F
G14391	1/4in x 1/2in	M x F
G3511	3/8in x 1/4in	M x F
G3512	3/8in x 3/8in	M x F
G3513	3/8in x 1/2in	M x F
G3629	1/2in x 3/8in	M x F
G3630	1/2in x 1/2in	M x F
G3631	1/2in x 3/4in	M x F
G3632	3/4in x 1/2in	M x F
G3633	3/4in x 1in	M x F
G3634	1in x 3/4in	M x F

BSP FEMALE X FEMALE ADAPTOR



- BSP Female x Female Hydraulic Adaptor
- Finish: Zinc plated

CODE	SIZE	TYPE
G3522	1/4in x 1/4in	F x F
G3526	3/8in x 1/4in	F x F
G3523	3/8in x 3/8in	F x F
G3527	3/8in x 1/2in	F x F
G3527A	1/2in x 1/2in	F x F
G3528A	1/2in x 3/4in	F x F
G3529A	3/4in x 1in	F x F
G3529B	1in x 1in	F x F

BSP 90° MALE X MALE ADAPTOR



- BSP 90° Male x Male Adaptor
- Hydraulic adaptor
- Finish: Zinc plated

CODE	SIZE	SEAT	TYPE
G3662	3/8in x 3/8in	60°	M x M
G3661	1/2in x 1/2in	60°	M x M
G14353	3/8in x 3/8in	60°	M x M

BSP 90° MALE X FEMALE ADAPTOR



- BSP 90° Male x Female Adaptor
- Hydraulic adaptor
- Finish: Zinc plated

CODE	SIZE	SEAT	TYPE
G14350	1/4in x 1/4in	60°	M x F
G3663	3/8in x 3/8in	60°	M x F
G3660	1/2in x 1/2in	60°	M x F
G13737	3/4in x 3/4in	60°	M x F

BSP 90° FEMALE X FEMALE ADAPTOR



- BSP 90° Female x Female Adaptor
- Finish: Zinc plated

CODE	SIZE	SEAT	TYPE
G3556	1/4in x 1/4in	60°	F x F
G3557	3/8in x 3/8in	60°	F x F
G3558	1/2in x 1/2in	60°	F x F
G3559B	1in x 1in	60°	F x F

T-PIECE MALE ADAPTOR



- T-Piece Male Hydraulic Adaptor
- Finish: Zinc plated

CODE	SIZE	TYPE
G3530	1/4in	Male
G3531	3/8in	Male
G3532	1/2in	Male
G3534	3/4in	Male

T-PIECE FEMALE ADAPTOR



- T-Piece Female Hydraulic Adaptor
- Finish: Zinc plated

CODE	SIZE	TYPE
G3535A	1/4in	Female
G3536	3/8in	Female
G3537	1/2in	Female

41

T-PIECE MALE X MALE X FEMALE ADAPTOR



- T-Piece Male x Male x Female Adaptor
- Hydraulic T-Piece adaptor with female on the run and male thread either end
- Finish: Zinc plated

CODE	SIZE	TYPE
G18446	3/8in BSP	M x M x F

T-PIECE MALE X FEMALE X MALE ADAPTOR



- T-Piece Male x Female x Male Adaptor
- Hydraulic T-Piece adaptor with male on the run and male thread one end and female thread on the opposite end
- Finish: Zinc plated

CODE	SIZE	TYPE
G18224	1/4in	M x F x M
G18441	3/8in x M 1/4in	M x F x M

CROSS ADAPTOR



- Cross Hydraulic Adaptor
- Finish: Zinc plated

CODE	SIZE	TYPE
G14367	3/8in	Male

BSP BULKHEAD ADAPTOR



- BSP Bulkhead Adaptor
- Finish: Zinc plated

CODE	SIZE	TYPE
G15804	1/4in x 1/4in	BSP
G3620B	3/8in x 3/8in	BSP
G3620	1/2in x 1/2in	BSP

RESTRICTION ADAPTORS



- Restriction Adaptor
- Economic flow restrictor
- 1/16in hole
- Finish: Zinc plated

CODE	SIZE	HOLE
G3540	3/8in x 3/8in	1/16in
G3540A	3/8in x 1/2in	1/16in

BSP BLANK MALE ADAPTOR



- BSP Blank Male Hydraulic Adaptor
- Finish: Zinc plated

CODE	SIZE	TYPE
G12185	1/4in	Male
G3625	3/8in	Male
G3626	1/2in	Male
G3627	5/8in	Male
G3628	3/4in	Male

BSP BLANK FEMALE ADAPTOR



- BSP Blank Female Hydraulic Adaptor
- Finish: Zinc plated

CODE	SIZE	TYPE
G12184	1/4in	Female
G3621	3/8in	Female
G3622	1/2in	Female
G3623	5/8in	Female
G3624	3/4in	Female
G15506	1in	Female

FIXED ADAPTOR FEMALE X FEMALE



- Fixed Adaptor Female x Female
- Finish: Zinc plated

CODE	SIZE	TYPE
G14247	1/4in	F x F
G15904	3/8in	F x F
G14249	1/2in	F x F

BSP X JIC MALE X MALE ADAPTOR



- BSP x JIC Male x Male Adaptor
- Finish: Zinc plated

CODE	SIZE	TYPE
G3495	1/4in x 9/16in	M x M
G3496	3/8in x 3/4in	M x M
G14387	3/8in x 1/2in	M x M
G3672	3/8in x 9/16in	M x M
G12658	3/8in x 7/8in	M x M
G3497	1/2in x 1/2in	M x M
G3498	1/2in x 9/16in	M x M
G3499	1/2in x 3/4in	M x M
G3500	1/2in x 7/8in	M x M
G3506	3/4in x 1.1/16in	M x M

BSP X JIC FEMALE X MALE ADAPTOR



- BSP x JIC Female x Male Adaptor
- Finish: Zinc plated

CODE	SIZE	TYPE
G3656	3/8in x 3/4in	M x F
G3658	3/8in x 3/4in	F x M
G3659	1/2in x 3/4in	F x M

BSP X METRIC ADAPTOR



- BSP x Metric Adaptor
- Thread: Male x Male
- Finish: Zinc plated

CODE	SIZE	TYPE
G3640	1/4in x 14mm	M x M
G3641	1/4in x 16mm	M x M
G3642	3/8in x 14mm	M x M
G3643	3/8in x 16mm	M x M
G3644	3/8in x 18mm	M x M
G3645	3/8in x 20mm	M x M
G12183	3/8in x 22mm	M x M
G3647	1/2in x 18mm	M x M
G3648	1/2in x 20mm	M x M
G3649	1/2in x 22mm	M x M

METRIC MALE X MALE ADAPTOR



- Metric Male x Male Hydraulic Adaptor
- Finish: Zinc plated

CODE	SIZE	TYPE
G3651	16mm x 16mm	M x M
G3652	18mm x 18mm	M x M
G3653	20mm x 20mm	M x M
G3654	22mm x 22mm	M x M
G12187	26mm x 26mm	M x M

JIC MALE X MALE ADAPTOR



- JIC Male x Male Hydraulic Adaptor
- Finish: Zinc plated

CODE	SIZE	TYPE
G3487	1/2in x 1/2in	M x M
G3489	9/16in x 9/16in	M x M
G3490	3/4in x 3/4in	M x M
G3491	7/8in x 7/8in	M x M
G3494	1.5/16in x 1.5/16in	M x M

BONDED HYDRAULIC SEAL



- Bonded Hydraulic Seal
- Metal washer with a vulcanised rubber insert
- Self centred
- Suitable for use in high pressure applications where other means of sealing are unsuitable

CODE	SIZE	TYPE	MATERIAL
G1160	1/4in	Imperial	Rubber
G1161	3/8in	Imperial	Rubber
G1162	1/2in	Imperial	Rubber
G1163	5/8in	Imperial	Rubber
G1164	3/4in	Imperial	Rubber
G1165	1in	Imperial	Rubber
G14250	1.1/4in	Imperial	Rubber

HYDRAULIC COUPLINGS

HYDRAULIC QUICK RELEASE MALE COUPLING



- Hydraulic Quick Release Male Coupling
- Robust & secure
- Designed to screw onto the end of an existing hose
- Prevents any fluids from leaking out when it's disconnected but will be opened by the pressure from the supply side
- Needs to be used on the downstream side of the connection
- Designed for high pressure operation
- Material: Carbon steel
- Standard: ISO(A) type
- Operating temperature range of -25°C to +125°C

CODE	SIZE	WORKING PRESSURE	THREAD	FINISH
G3590	3/8in	3335 to 5075 PSI	BSP	Zinc Plated
G3591	1/2in	3335 to 5075 PSI	BSP	Zinc Plated
G3592	3/4in	3335 to 5075 PSI	BSP	Zinc Plated
G3593	1in	3335 to 5075 PSI	BSP	Zinc Plated

HYDRAULIC QUICK RELEASE FEMALE COUPLING



- Hydraulic Quick Release
- Female Coupling
- Quickly make and release connections in hydraulic or fluid transfer systems
- Will shut off fluid flow instantly to prevent leakage
- Material: Carbon steel
- Standard: ISO(A) type

CODE	SIZE	WORKING PRESSURE	THREAD	FINISH
G3584	3/8in	3335 to 5075 PSI	BSP	Zinc Plated
G3585	1/2in	3335 to 5075 PSI	BSP	Zinc Plated
G3586	3/4in	3335 to 5075 PSI	BSP	Zinc Plated
G3587	1in	3335 to 5075 PSI	BSP	Zinc Plated

QUICK RELEASE PULL FEMALE COUPLING



- Quick Release Pull Female Coupling
- Material: Carbon steel
- Breakaway type
- Standard: ISO(A) type
- G18281 is a high pressure coupling. This allows a standard Male Quick Attach to be connected under pressure

CODE	SIZE	THREAD	FINISH
G3585A	1/2in	BSP	Zinc Plated
G18281	1/2in HP Pull	BSP	Zinc Plated

HYDRAULIC QUICK RELEASE BRAKE FEMALE COUPLING



- Hydraulic Quick Release Brake Female Coupling
- Material: Carbon steel

CODE	SIZE	THREAD	FINISH
G3585B	1/2in	BSP	Zinc Plated

HYDRAULIC QUICK RELEASE BRAKE MALE COUPLING



- Hydraulic Quick Release Brake Male Coupling
- Material: Carbon steel

CODE	SIZE	THREAD	FINISH
G3582A	1/2in	BSP	Zinc Plated

QUICK RELEASE CARBON FLAT FACE MALE COUPLING



- Quick Release Carbon Flat Face Male Coupling
- Material: Carbon steel

CODE	SIZE	THREAD	FINISH
G18540	3/8in	BSP	Zinc Plated
G17640	1/2in	BSP	Zinc Plated
G18117	3/4in	BSP	Zinc Plated

QUICK RELEASE CARBON FLAT FACE FEMALE COUPLING



- Quick Release Carbon Flat Face female Coupling
- Material: Carbon steel
- Breakaway type

CODE	SIZE	THREAD	FINISH
G18539	3/8in	BSP	Zinc Plated
G17639	1/2in	BSP	Zinc Plated
G18116	3/4in	BSP	Zinc Plated

DUST COVER FOR QUICK RELEASE MALE COUPLING



- Dust Cover For Quick Release Male Coupling

CODE	SIZE	MATERIAL
G3594	1/2in	Rubber

DUST COVER FOR QUICK RELEASE FEMALE COUPLING



- Dust Cover For Quick Release female Coupling

CODE	SIZE	MATERIAL
G3588	1/2in	Rubber

HYDRAULIC VALVES

1-BANK DA MONOBLOCK



- 1-Bank Double Acting Monoblock
- x1 Lever operated double acting monoblock valve
- All levers are spring loaded
- Item G17075 lever has a detent in both directions with automatic return to neutral when the cylinder has completed its stroke
- Standard inlet check hydraulic valve
- Open flow

CODE	SIZE	CAPACITY	MAX PRESSURE	TYPE
G3704	3/8in	45 LPM	3700 PSI / 250 Bar	DA
G17845	1/2in	60 LPM	3700 PSI / 250 Bar	DA
G17075	3/8in W/Detent	45 LPM	3700 PSI / 250 Bar	DA

1-BANK AUTO MONOBLOCK FOR LOG SPLITTER



- 1-Bank Auto Monoblock For Log Splitter
- x1 Lever operated automatic return monoblock valve
- Suitable for a log splitter application
- Lever is spring loaded in one direction and features a detent in the opposite direction with automatic return to neutral when the cylinder has completed its stroke
- Open flow

CODE	SIZE	CAPACITY	MAX PRESSURE	TYPE
G17754	1/2in	60 LPM	3700 PSI / 250 Bar	DA

1-BANK SA MONOBLOCK



- 1-Bank Single Acting Monoblock
- x1 Lever operated single acting monoblock valve
- All levers are spring loaded
- Standard inlet check valve
- Open flow Adjustable relief valve (Pre-set at 1460 PSI 100 bar)

CODE	SIZE	CAPACITY	MAX PRESSURE	TYPE
G13095	3/8in	45 LPM	3700 PSI / 250 Bar	SA

2-BANK DADA MONOBLOCK



- 2-Bank x2 Double Acting Monoblock Valve
- x2 Lever operated double acting monoblock valve
- All levers are spring loaded
- Standard inlet check valve
- Open flow
- Adjustable relief valve (Pre-set at 1460 PSI / 100 bar)

CODE	SIZE	CAPACITY	MAX PRESSURE	TYPE
G13092	3/8in	45 LPM	3700 PSI / 250 Bar	DADA
G17846	1/2in	80 LPM	3700 PSI / 250 Bar	DADA

2-BANK DASA MONOBLOCK



- 2-Bank x1 Double Acting x1 Single Acting Monoblock
- x1 Lever operated double acting and x1 Lever single acting monoblock valve
- All levers are spring loaded
- Standard inlet check valve
- Open flow
- Adjustable relief valve (Pre-set at 1460 PSI / 100 bar)
- Flow capacity min 40 litres/min

CODE	SIZE	CAPACITY	MAX PRESSURE	TYPE
G3705	3/8in	40 LPM	3700 PSI / 250 Bar	DASA

3-BANK DADADA MONOBLOCK



- 3-Bank x3 Double Acting Monoblock
- x3 Lever operated double acting monoblock valve
- All levers are spring loaded
- Standard inlet check valve
- Open flow
- Adjustable relief valve (Pre-set at 1460 PSI / 100 bar)

CODE	SIZE	CAPACITY	MAX PRESSURE	TYPE
G3706	3/8in	40 LPM	3700 PSI / 250 Bar	DADADA
G17847	1/2in	60 LPM	3700 PSI / 250 Bar	DADADA

3-BANK DADASA MONOBLOCK



- 3-Bank x2 Double Acting x1 Single Acting Monoblock
- x2 Lever operated double acting and x1 lever single acting monoblock valve
- All levers are spring loaded
- Standard inlet check valve
- Open flow
- Adjustable relief valve (Pre-set at 1460 PSI / 100 bar)

CODE	SIZE	CAPACITY	MAX PRESSURE	TYPE
G13096	3/8in	40 LPM	3700 PSI / 250 Bar	DADASA
G17848	1/2in	80 LPM	4351 PSI / 300 Bar	DADASA

4-BANK DADADADA MONOBLOCK



- 4-Bank x4 Double Acting Monoblock
- x4 Lever operated double acting monoblock valve
- All levers are spring loaded
- Standard inlet check valve
- Open flow
- Adjustable relief valve (Pre-set at 1460 PSI / 100 bar)

CODE	SIZE	CAPACITY	MAX PRESSURE	TYPE
G13097	3/8in	40 LPM	3700 PSI / 250 Bar	DADADADA
G17849	1/2in	60 LPM	3700 PSI / 250 Bar	DADADADA

5-BANK DADADADADA MONOBLOCK



- 5-Bank x5 Double Acting Monoblock Valve
- x5 Lever operated double acting monoblock valve
- All levers are spring loaded
- Standard inlet check valve
- Open flow
- Adjustable relief valve (Pre-set at 1460 PSI / 100 bar)

CODE	SIZE	CAPACITY	MAX PRESSURE	TYPE
G3707A	3/8in	40 LPM	3700 PSI / 250 Bar	DADADADADA

MONOBLOCK HANDLE



- Monoblock Handle
- Replacement handle for monoblock lever valves
- Suitable for all monoblocks
- Plastic handle

CODE	SIZE
G3718	8mm
G3718A	10mm

HOUSING WITH HANDLE



- Monoblock Housing with Handle
- Replacement housing comes with handle for monoblock lever valves
- Item G3719 is suitable for Intertraco branded monoblock valves
- Item G17850 is suitable for all existing Hidros/Genfitt monoblock valves
- Suitable for all monoblocks

CODE	SIZE
G3719	8mm
G17850	10mm

INLINE SAFETY CHECK VALVE MALE



- Inline Safety Check Valve Male
- Dynamic check valve provides leak free closure in one direction and free flow in the other
- Heavy duty carbon steel body
- Cracking Pressure: 1 Bar
- Zinc Plated Steel Body
- Type: Male x Male

CODE	THREAD SIZE	FLOW RATE	MAX PRESSURE	TYPE
G18613	1/4in BSP	8 LPM	350 Bar	M x M
G18614	3/8in BSP	20 LPM	350 Bar	M x M
G18615	1/2in BSP	50 LPM	350 Bar	M x M

INLINE SAFETY CHECK VALVE FEMALE



- Inline Safety Check Valve Female
- Dynamic check valve provides leak free closure in one direction and free flow in the other
- Heavy duty carbon steel body
- Working pressure: 2600 PSI
- Instructions: Screw in the valve connecting side V to the pressure flow and side C to the cylinder

CODE	THREAD SIZE	FLOW RATE	MAX PRESSURE	TYPE
G18445	1/4in BSP	20LPM	350 Bar	F x F
G18610	3/8in BSP	45 LPM	350 Bar	F x F
G18451	1/2in BSP	70 LPM	350 Bar	F x F

BURST VALVE FEMALE



- Burst Valve
- Hydraulic safety device valves
- Used to prevent uncontrolled descent of a load in case of hose failure
- When the valve setting is exceeded it activates to block flow
- Suitability: Trailer tipping cylinders
- Instructions: Screw in the valve connecting side V to the pressure flow and side C to the cylinder
- Finish: Burnished steel

CODE	THREAD SIZE	FLOW RATE	MAX PRESSURE	TYPE
G18211	1/2in x 1/2in	80LPM	350 Bar	F x F
G18221	3/4in x 3/4in	140 LPM	350 Bar	F x F

HYDRAULIC BALL VALVE



- Hydraulic Ball Valve
- High quality one piece shut-off value
- Suitable for rigid pipe or flexible hose connection
- Thread: Female x Female

CODE	SIZE	WORKING PRESSURE	FINISH
G3773A	1/4in	3000 PSI	Carbon Steel
G3773B	3/8in	3000 PSI	Carbon Steel
G3773C	1/2in	3000 PSI	Carbon Steel

HYDRAULIC DIVERTER VALVE



- Hydraulic Diverter Valve
- High quality one piece diverter valve
- 4 Port 2 way valve
- Port: 1/2in BSP

CODE	CAPACITY	WORKING PRESSURE	TYPE
G3766B	90 LPM	3625 PSI / 250 Bar	C DF-F-12

SOLENOID DIVERTER VALVE



- Solenoid Diverter Valve
- Provides a simple means to operate an additional double acting loader function, eg. shear grab or silage grab
- Electrical supply: 12V 6A
- 6 Port valve

CODE	SIZE	CAPACITY	VOLTAGE
G3955	3/8in	50 Litre	12V 6A
G3956	1/2in	50 Litre	12V 6A

SEQUENCE VALVE



- Hydraulic Sequence Valve
- Sequence Valve is used to feed two cylinders in sequence
- When a particular setting is reached, the valve opens and allows flow to the second cylinder

CODE	THREAD SIZE	FLOW RATE	MAX PRESSURE	FINISH
G18220	3/8in BSP	35 LPM	350 Bar	Zinc Plated

HYDRAULIC OVER CENTRE SINGLE ACTING VALVE



- Single acting Over Centre valves are used to control the movement of hydraulic cylinders and block in only one direction, in order to allow the following function: Constant steady movement when cylinder lowering without any disruptive movements i.e. prevents the loads weight disrupting lowering speed/movement

CODE	THREAD SIZE	FLOW RATE	MAX PRESSURE	FINISH
G18594	3/8in BSP	40 LPM	350 Bar	Zinc Plated

HYDRAULIC OVER CENTRE DOUBLE ACTING VALVE



- Double acting Over Centre valves are used to control the movement of hydraulic cylinders and block in both directions, in order to allow the following function Constant steady movement when cylinder lowering without any disruptive movements i.e. prevents the loads weight disrupting lowering speed/movement

CODE	THREAD SIZE	FLOW RATE	MAX PRESSURE	FINISH
G18597	3/8in BSP	40 LPM	350 Bar	Zinc Plated

HYDRAULIC STEEL FLOW DIVIDER



- Hydraulic Steel Flow Divider
- Flow Divider valves are T-junction like devices which are used to keep constant flow rate in two directions from one operating function, on hydraulic machines and implements
- Instructions: Connect P to pressure flow and A & B to cylinders/actuators

CODE	THREAD SIZE	FLOW RATE	MAX PRESSURE	FINISH
G18600	3/8in BSP	10-20 LPM	300 Bar	Zinc Plated
G18601	1/2in BSP	25-40 LPM	300 Bar	Zinc Plated

HYDRAULIC FLOW REGULATOR CHECK VALVE



- Hydraulic Flow Regulator Check Valve
- Flow Regulator Check Valves are used to adjust the speed of cylinders in one direction and allows free return in the opposite direction
- Instructions: Connect V to the pressure flow and C to the cylinder/actuator to set
- Cracking Pressure: 0.5 Bar

CODE	THREAD SIZE	FLOW RATE	MAX PRESSURE	FINISH
G18602	1/4in BSP	15 LPM	350 Bar	Zinc Plated

HYDRAULIC FLOW REGULATOR VALVE



- Hydraulic Flow Regulator Valve
- Flow Regulator Valves are used to adjust the speed of cylinders in both directions

CODE	THREAD SIZE	FLOW RATE	MAX PRESSURE	FINISH
G18606	1/4in BSP	15 LPM	400 Bar	Zinc Plated
G18607	3/8in BSP	30 LPM	400 Bar	Zinc Plated

HYDRAULIC MOTORS

HYDRAULIC GEAR MOTOR AG50



- 2 x 13.5mm hole mounting, diagonally 106mm centres
- Displacement: 49.5cm³/rev
- Shaft diameter: 25mm with parallel key; 8x7x32mm
- Shaft length: 43mm
- Ports: 1/2in BSP

The following info is considered when the motor is operated constantly:

- Max output: 9.4kW, 12.6 HP
- Max pressure drop: 140 bar
- Max inlet pressure: 175 bar
- Max return pressure with drain line: 175 bar
- Weight: 5.8 kg

CODE	OVERALL LENGTH	MAX HEIGHT	MAX SPEED	MAX TORQUE	MAX FLOW
G3751A	184.2mm	101mm	1210 RPM	9.4 daNm	60 LPM

HYDRAULIC GEAR MOTOR AG80



- 2 x 13.5mm hole mounting, diagonally 106mm centres
- Displacement: 79.2cm³/rev
- Shaft diameter: 25mm with parallel key; 8x7x32mm
- Shaft length: 43mm
- Ports: 1/2in BSP

The following info is considered when the motor is operated constantly:

- Max output: 10.2kW, 13.7 HP
- Max pressure drop: 140 bar
- Max inlet pressure: 175 bar
- Max return pressure with drain line: 175 bar
- Weight: 5.9 kg

CODE	OVERALL LENGTH	MAX HEIGHT	MAX SPEED	MAX TORQUE	MAX FLOW
G3752	188.2mm	101mm	755 RPM	15.1 daNm	60 LPM

HYDRAULIC GEAR MOTOR AG160



- 2 x 13.5mm hole mounting, diagonally 106mm centres
- Displacement: 158.4cm³/rev
- Shaft diameter: 25mm with parallel key; 8x7x32mm
- Shaft length: 43mm
- Ports: 1/2in BSP

The following info is considered when the motor is operated constantly:

- Max output: 10.1kW, 13.5 HP
- Max pressure drop: 140 bar
- Max inlet pressure: 175 bar
- Max return pressure with drain line: 175 bar
- Weight: 6.4 kg

CODE	OVERALL LENGTH	MAX HEIGHT	MAX SPEED	MAX TORQUE	MAX FLOW
G3753	198.9 mm	101mm	378 RPM	31.3 daNm	60 LPM

HYDRAULIC GEAR MOTOR AG200



- 2 x 13.5mm hole mounting, diagonally 106mm centres
- Displacement: 198cm³/rev
- Shaft diameter: 25mm with parallel key; 8x7x32mm
- Shaft length: 43mm
- Ports: 1/2in BSP

The following info is considered when the motor is operated constantly:

- Max output: 10kW, 13.5 HP
- Max pressure drop: 140 bar
- Max inlet pressure: 175 bar
- Max return pressure with drain line: 175 bar
- Weight: 6.6 kg

CODE	OVERALL LENGTH	MAX HEIGHT	MAX SPEED	MAX TORQUE	MAX FLOW
G3753A	204.2mm	101mm	303 RPM	36.6 daNm	60 LPM

HYDRAULIC GEAR MOTOR AG300



- 2 x 13.5mm hole mounting, diagonally 106mm centres
- Displacement: 316.8cm³/rev
- Shaft diameter: 25mm with parallel key; 8x7x32mm
- Shaft length: 43mm
- Max height: 101mm

The following info is considered when the motor is operated constantly:

- Max output: 5.8kW, 7.9 HP
- Max pressure drop: 90 bar
- Max inlet pressure: 175 bar
- Max return pressure with drain line: 175 bar
- Weight: 7.1 kg

CODE	OVERALL LENGTH	MAX HEIGHT	MAX SPEED	MAX TORQUE	MAX FLOW
G3754	220.2mm	101mm	190 RPM	38 daNm	60 LPM

HYDRAULIC GEAR MOTOR 200 C



- 2 x 13.5mm hole mounting, diagonally 106mm centres
- Displacement: 198cm³/rev
- Shaft diameter: 25mm with parallel key; 8x7x32mm
- Shaft length: 43mm
- Ports: 1/2in BSP

The following info is considered when the motor is operated constantly:

- Max output: 9kW, 12 HP
- Max pressure drop: 140 bar
- Max inlet pressure: 175 bar
- Max return pressure with drain line: 175 bar
- Weight: 8 kg

CODE	OVERALL LENGTH	MAX HEIGHT	MAX SPEED	MAX TORQUE	MAX FLOW
G18295	211.55 mm	107mm	303 RPM	38.5 daNm	60 LPM

HYDRAULIC GEAR MOTOR SMS 315 C



- 4 x 13.5mm hole mounting, diagonally 106mm centres
- Displacement: 314.9cm³/rev
- Shaft diameter: 32mm with parallel key; 10x8x45mm
- Shaft length: 56mm
- Ports: 1/2in BSP

The following info is considered when the motor is operated constantly:

- Max output: 15kW, 20.1 HP
- Max pressure drop: 200 bar
- Max inlet pressure: 230 bar
- Max return pressure with drain line: 140 bar
- Weight: 12.4 kg

CODE	OVERALL LENGTH	MAX HEIGHT	MAX SPEED	MAX TORQUE	MAX FLOW
G18296	272.1mm	106mm	240 RPM	82.5 daNm	75 LPM

HYDRAULIC RAM POWER PACKS & PUMPS

SINGLE ACTING HYDRAULIC HAND PUMP



- Suitable for medium pressure and large stroke

CODE	CAPACITY	WORKING PRESSURE
G3952	5 Litre	4250 PSI

DOUBLE ACTING HYDRAULIC HAND PUMP



- Suitable for medium pressure and large stroke

CODE	CAPACITY	WORKING PRESSURE
G3953	5 Litre	4250 PSI

12V SINGLE ACTING POWER PACK WITH REMOTE & 8L TANK



- Wired remote control included
- Recommended oil: ISO VG 46 mineral based hydraulic fluid
- Suitable for use on remote tanks and bowsers

CODE	CAPACITY	VOLTAGE
G17788	8 Litre	12V

12V DOUBLE ACTING POWER PACK WITH REMOTE & 8L TANK



- Wired remote control included
- Recommended oil: ISO VG 46 mineral based hydraulic fluid
- Suitable for use on remote tanks and bowsers

CODE	CAPACITY	VOLTAGE
G17787	8 Litre	12V

PRESSURE GAUGE & ADAPTORS

HYDRAULIC PRESSURE GAUGE



- Hydraulic Pressure Gauge
- Type: Male
- Bottom connection
- Working Pressure: (0.2 bar increments)

CODE	MAX PRESSURE	WORKING PRESSURE	DIAMETER	PORT
G19409	150 PSI	0-10 Bar	63mm	1/4in BSP
G3951	350 PSI	0-25 Bar	63mm	1/4in BSP
G19410	4000 PSI	0-250 Bar	63mm	1/4in BSP
G19411	6000 PSI	0-400 Bar	63mm	1/4in BSP

HYDRAULIC PRESSURE GAUGE ADAPTOR



- Hydraulic adaptor with both male and female 1/4inch BSP thread
- Suitable for attaching hydraulic pressure gauge to a hydraulic system

CODE	SIZE	TYPE
G18450	1/4in	M x F



HYDRAULIC SEALS

WYE / WRAYRAM HYDRAULIC TRAILER SEAL KIT



- Hydraulic Trailer Seal Kit
- Complete seal kits for WYE / Wrayram telescopic cylinders
- Seal kits come in Metric & Imperial dimensions to suit all models
- Units: Imperial

CODE	SIZE	SUITABILITY	TYPE
G15096	36 x 2	G3943, G3944	2-Stage Standard Duty
G15097	36 x 2	G3945	2-Stage Standard Duty
G15098	36 x 3	G3948, G3049, G19658	3-Stage Standard Duty
G15099	36 x 3	G3950, G3950A	3-Stage Heavy Duty
G18995	49 x 4	G18219	4-Stage Heavy Duty

HUNTER 2 STAGE HEAVY DUTY CYLINDER SEAL KIT



- Hunter 2 Stage Cylinder Seal Kit
- Heavy Duty
- Supplied complete

CODE	TYPE
G17456	2-Stage H/D

2-STAGE HYDRAULIC RAM SEAL KIT



- Hydraulic Ram Seal Kit
- 2-Stage
- Supplied complete
- Units: Imperial

CODE	SIZE	TYPE
G15951	262/200 x 9/16in & 362/200 x 9/16in	2-Stage Wide

SINGLE SEALS FOR TELESCOPIC CYLINDER WIDE & NARROW



- Telescopic Cylinder Seals
- Single seals
- Suitable for wide & narrow telescopic cylinders
- Supplied complete
- Units: Imperial

CODE	SIZE	TYPE
G10479	262/200 x 9/16in (Wide)	2-Stage Wide
G10481	362/300 x 9/16in	2-Stage Wide
G10475	262/200 x 5/16in	2-Stage Narrow
G10476A	362/300 x 5/16in	2-Stage Narrow

RETAINING RING CIRCLIP



- Retaining Ring Circlip
- Telescopic Cylinder Seal
- Material: Plastic

CODE	TYPE	FINISH
G10477A	Circlip	Plastic

DOUBLE ACTING HYDRAULIC RAM 40-60/70 BAST. SEAL KIT



- Hydraulic Ram Seal Kit
- Replacement seal kit for Genfitt double acting 40-60/70mm cylinders with BAST reference

CODE	SUITABILITY	TYPE	INNER DIAMETER	OUTER DIAMETER	ROD
G20150	Bastimec	Double Acting	60mm	70mm	40mm

AK HYDRAULIC RAM SEAL KIT



- Hydraulic Ram Seal Kit
- Seal kit to suit agricultural slurry tanker rear discharge vacuum ram/cylinder and spring kit G8867

CODE	SUITABILITY	TYPE
G14103	G8867	AK273

U-SEAL



- Hydraulic U-Seal
- Used for the consolidation of hydraulic liquid into hydraulic cylinder
- Features a symmetrical lip profile with chamfered sealing edges
- Replacement part for worn out or damaged part
- Units: Metric

CODE	SIZE	TYPE
G13755	50 x 40 x 7.3mm	U-Seal
G13654	60 x 50 x 7.3mm	U-Seal

HYDRAULIC POST DRIVER CYLINDER SEAL KIT



- Hydraulic Post Driver Cylinder Seal Kit
- Seal kit for post driver hydraulic cylinder G19965

CODE	SIZE	SUITABILITY
G19965A	54in	G19965

HYDRAULIC WIPER SEAL



- Hydraulic Wiper Seal
- Used to prevent the ingress of dust and dirt or other foreign bodies
- Extends the working life of the seal it is protecting
- Units: Imperial

CODE	SIZE	TYPE
G15773	200/150	Wiper
G15777	1.3/4in B21	Wiper
G16055	B33 (ASC33)	Wiper
G16048	40 x 48 x 5/7mm	Wiper
G17512	WMN0506306	Wiper

SINGLE ACTING IMPERIAL HYDRAULIC PRESSURE SEAL



- Imperial Hydraulic Pressure Seal
- High/low pressure seals to control oil flow
- Units: Imperial

CODE	SIZE	TYPE
G10293	187 150	Single Acting

SINGLE ACTING METRIC HYDRAULIC PRESSURE SEAL



- Metric Hydraulic Pressure Seal
- High/low pressure seals to control oil flow
- Units: Metric

CODE	SIZE	TYPE
G14034	48 x 40 x 8m	Single Acting

DOUBLE ACTING IMPERIAL HYDRAULIC PRESSURE SEAL



- Double Acting Imperial Hydraulic Pressure Seal
- High/low pressure seals to control oil flow
- Units: Imperial

CODE	SIZE	TYPE
G10342	200 137	Double Acting
G10351	237 175	Double Acting

DOUBLE ACTING METRIC HYDRAULIC PRESSURE SEAL



- Double Acting Metric Hydraulic Pressure Seal
- High/low pressure seals to control oil flow
- Units: Metric

CODE	SIZE	TYPE
G15348	70 x 50mm	Double Acting
G15342	80 x 60mm	Double Acting
G15344	90 x 70 x 22mm	Double Acting

METRIC OIL SEAL



- Metric Oil Seal
- Oil seals sized in the metric system
- Units: Metric

CODE	SIZE
G10600	25 x 35 x 7mm
G10631	35 x 52 x 7mm
G10633	35 x 55 x 8mm
G10638	35 x 72 x 7mm
G10650	40 x 55 x 10mm
G14007	40 x 80 x 10mm
G10667	45 x 60 x 10mm
G10673	48 x 62 x 8mm
G14081	55 x 75 x 10mm
G10701	60 x 85 x 10mm
G5710	NA549 HUB
G5706	NA762 HUB
G5711	NA770 HUB

IMPERIAL OIL SEAL



- Imperial Oil Seal
- Oil seals sized in the metric system
- Units: Imperial

CODE	TYPE
G15161	325.475.050

O-RINGS



- Hydraulic O-Ring Seal
- Ideal for use as seals for pumps, drive belts, and other general engineering applications in the hydraulic and pneumatic industry
- Operating temperature range: -30°C to 90°C
- G3588A & G3588B: Quick Release Kit

CODE	TYPE	MATERIAL
G13371	BS227 70	Nitrile Rubber
G13731	BS335 90	Nitrile Rubber
G14129	BS338 70	Nitrile Rubber
G3588A	3/8in	Nitrile Rubber
G3588B	1/2in	Nitrile Rubber

IMPERIAL O-RING SELECTION BOX 225 PIECES



- Universal O-ring set
- Nitrile construction
- Resists heat, most petroleum and silicone-based fluids, hydraulic and non-aromatic fuels and solvents
- Supplied in a sturdy PVC case

Sizes:

- 3/32 x 15/64in x 10pc, 1/8 x 1/4in x 20pc, 5/32 x 9/32in x 20pc
- 3/16 x 5/16in x 20pc, 7/32 x 11/32in x 15pc, 1/4 x 3/8in x 15pc
- 9/16 x 3/4in x 10pc, 5/8 x 13/16in x 10pc, 11/16 x 7/8in x 10pc
- 3/4 x 15/16in x 10pc, 3/4 x 1in x 10pc, 13/16 x 1.1/16in x 10pc
- 5/16 x 7/16in x 15pc, 3/8 x 1/2in x 10pc, 5/8 x 3/4in x 10pc
- 3/8 x 9/16in x 10pc, 7/16 x 5/8in x 10pc, 1/2 x 11/16in x 10pc

CODE	SIZE	TYPE	MATERIAL
G18672	225 Pieces	Imperial	Nitrile Rubber

METRIC O-RING SELECTION BOX 225 PIECES



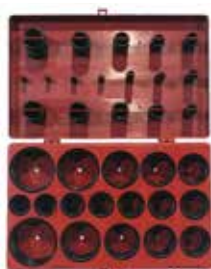
- Universal O-ring set
- Nitrile construction
- Resists heat, most petroleum and silicone-based fluids, hydraulic and non-aromatic fuels and solvents
- Supplied in a sturdy PVC case

Sizes:

- 3 x 1mm x 20pc, 4 x 1mm x 20pc, 4.5 x 2mm x 20pc
- 5 x 2mm x 20pc, 6 x 2mm x 20pc, 6 x 2.5mm x 20pc
- 13 x 3mm x 5pc, 14 x 2.5mm x 5pc, 17 x 2.5mm x 5pc
- 18 x 4mm x 5pc, 20 x 2mm x 5pc, 22 x 2mm x 5pc
- 6 x 3mm x 20pc, 7 x 2mm x 20pc, 8 x 2mm x 20pc
- 9 x 2mm x 5pc, 10 x 2 x 5pc, 12 x 3 x 5pc

CODE	SIZE	TYPE	MATERIAL
G18678	225 Pieces	Metric	Nitrile Rubber

IMPERIAL O-RING SELECTION BOX 407 PIECES



- Standard: ASTM D-2000 SAE J200
- Comes in a robust box that contains an assortment of the most popular sizes, essential for emergency repairs or routine maintenance
- Ideal for maintenance engineers to provide a quick and reliable choice of sealing solutions to suit the job in hand

CODE	SIZE	TYPE	STANDARD
G18681	407 Pieces	Imperial	ASTM D-2000 SAE J200

METRIC O-RING SELECTION BOX 407 PIECES



- Standard: ASTM D-2000 SAE J200
- Comes in a robust box that contains an assortment of the most popular sizes, essential for emergency repairs or routine maintenance
- Ideal for maintenance engineers to provide a quick and reliable choice of sealing solutions to suit the job in hand

CODE	SIZE	TYPE	STANDARD
G18680	407 Pieces	Metric	ASTM D-2000 SAE J200

ADAPTOR

BSP 90° Female x Female Adaptor..... 40
 BSP 90° Male x Female Adaptor..... 40
 BSP 90° Male x Male Adaptor..... 40
 BSP Blank Female Adaptor..... 43
 BSP Blank Male Adaptor..... 43
 BSP Bulkhead Adaptor..... 42
 BSP Female x Female Adaptor..... 39
 BSP Male x Female Adaptor..... 39
 BSP Male x Male Adaptor..... 38
 BSP x JIC Female x Male Adaptor..... 44
 BSP x JIC Male x Male Adaptor..... 44
 BSP x Metric Adaptor..... 44
 Cross Adaptor..... 42
 Fixed Adaptor Female x Female..... 43
 Hydraulic Pressure Gauge Adaptor..... 60
 JIC Male x Male Adaptor..... 45
 Metric Male x Male Adaptor..... 45
 Restriction Adaptors..... 42
 T-Piece Female Adaptor..... 41
 T-Piece Male Adaptor..... 41
 T-Piece Male x Female x Male Adaptor..... 42
 T-Piece Male x Male x Female Adaptor..... 41

AGITATOR

Hydraulic Agitator Ram with Side Pipe..... 07

ANTI BURST

Anti-Burst Hose Sleeve..... 28
 Anti-Burst Sleeve Crimp O-Clip..... 29

ANTI CREEP

Standard Cat 2 x Cat 2 Hydraulic Top Link
 Painted With Anti Creep..... 21
 Standard Cat 2 x Cat 2 Knuckle & QA
 Hydraulic Top Link With Anti Creep..... 24
 Standard Cat 2 x Cat 2 Quick Attach
 Hydraulic Top Link With Anti
 Creep / Check Valve..... 22
 Standard Cat 3 x Cat 3 Quick Attach
 Hydraulic Top Link With Anti
 Creep / Check Valve..... 23

BRAKE

Hydraulic Quick Release Brake
 Female Coupling..... 47
 Hydraulic Quick Release Brake
 Male Coupling..... 47
 Internal Spring Brake Ram..... 17
 Trailer Brake Ram..... 19
 Trailer Brake Ram Assembly With
 Bolt-on Brackets..... 19
 Trailer Brake Ram Double Spring Assembly..... 18
 Trailer Brake Ram Single Spring Assembly..... 18

BREATHER

Breather Cap..... 17

BSP

BSP 90° Female x Female Adaptor..... 40
 BSP 90° Male x Female Adaptor..... 40
 BSP 90° Male x male Adaptor..... 40
 BSP Blank Female Adaptor..... 43
 BSP Blank Male Adaptor..... 43
 BSP Bulkhead Adaptor..... 42
 BSP Female x Female Adaptor..... 39
 BSP Male x Female Adaptor..... 39
 BSP Male x Male Adaptor..... 38
 BSP x JIC Female x Male Adaptor..... 44
 BSP x JIC Male x Male Adaptor..... 44
 BSP x Metric Adaptor..... 44

CAP

Breather Cap..... 17

CARBON

Quick Release Carbon Flat Face
 Female Coupling..... 47
 Quick Release Carbon Flat Face
 Male Coupling..... 47

CHECK VALVE

Standard Cat 2 x Cat 2 Quick Attach
 Hydraulic Top Link With Anti
 Creep / Check Valve..... 22
 Standard Cat 3 x Cat 3 Quick Attach
 Hydraulic Top Link With Anti
 Creep / Check Valve..... 23

Top Link Check Valve Kit up to 20in
 Ram & 26in Top Link..... 25

CHUTE

Hydraulic Chute Ram..... 07

CIRCLIP

Retaining Ring Circlip..... 62

CLAMP

Single Hydraulic Hose Clamp..... 27
 Twin Hydraulic Hose Clamp..... 27

CLIP

Anti-Burst Sleeve Crimp O-Clip..... 29

COLLAR

Hydraulic Ram Collar..... 08

COUPLINGS

Dust Cover for Quick Release Female
 Coupling..... 48
 Dust Cover for Quick Release
 Male Coupling..... 48
 Hydraulic Quick Release Brake
 Female Coupling..... 47
 Hydraulic Quick Release Brake
 Male Coupling..... 47
 Hydraulic Quick Release Female Coupling..... 46
 Hydraulic Quick Release Male Coupling..... 46
 Quick Release Carbon Flat Face
 Female Coupling..... 47
 Quick Release Carbon Flat Face
 Female Coupling..... 48
 Quick Release Carbon Flat Face
 Male Coupling..... 47
 Quick Release Pull Female Coupling..... 47

COVER

Dust Cover for Quick Release
 Female Coupling..... 48
 Dust Cover for Quick Release
 Male Coupling..... 48
 Spiral Guard Cover..... 28

CROSS

Cross Adaptor..... 42

CYLINDER

Single Seals for Telescopic Cylinder
 Wide & Narrow..... 62

DIVIDER

Hydraulic Steel Flow Divider..... 55

DOUBLE ACTING

Double Acting Hydraulic Log Splitter Ram..... 06
 Double Acting Hydraulic Sheargrab Ram..... 05
 Heavy Duty Double Acting Hydraulic Ram..... 04
 Light Duty Double Acting Hydraulic Ram..... 02
 Standard Duty Double Acting Hydraulic Ram..... 03

DRIVER

Hydraulic Post Driver Ram..... 08
 Hydraulic Post Driver Cylinder Seal Kit..... 63

FERRULE

R2T Swaged Ferrule..... 30
 Multi-Spiral Ferrule..... 30
 Non Skive Ferrule..... 30
 Reusable Ferrules..... 36

FLAT FACE

Quick Release Carbon Flat Face
 Female Coupling..... 47
 Quick Release Carbon Flat Face
 Male Coupling..... 47

GENFITT

Genfitt Standard Cat 2 x Cat 2
 Hydraulic Top Link..... 20

GUARD

Spiral Guard Cover..... 28

HAND PUMP

Double Acting Hydraulic Hand Pump..... 59
 Single Acting Hydraulic Hand Pump..... 59

HANDLE

Housing With Handle..... 52
 Monoblock Handle..... 52

HOSE

Anti-Burst Hose Sleeve..... 28
 Anti-Burst Sleeve Crimp O-Clip..... 29
 Hydraulic Hose 2 Wire EN853 2SN..... 26
 Hydraulic Hose 2 Wire EN857 2SC..... 26
 Hydraulic Hose Multi Spiral 4 Wire EN856 4SP..... 26
 Single Hydraulic Hose Clamp..... 27
 Top Link Hydraulic Hose Kit..... 27
 Twin Hydraulic Hose Clamp..... 27

HYDRAULIC

2-Stage Hydraulic Ram Seal Kit..... 61
 AK Hydraulic Ram Seal Kit..... 63
 Bonded Hydraulic Seal..... 45
 Double Acting Hydraulic Hand Pump..... 59
 Double Acting Hydraulic Log Splitter Ram..... 06
 Double Acting Hydraulic Ram 40-60/70
 BAST. Seal Kit..... 62
 Double Acting Hydraulic Sheargrab Ram..... 05
 Double Acting Imperial Hydraulic
 Pressure Seal..... 65
 Double Acting Metric Hydraulic
 Pressure Seal..... 65
 Genfitt Standard Cat 2 x Cat 2 Hydraulic
 Top Link..... 20
 Heavy Duty Double Acting Hydraulic Ram..... 04
 Hydraulic Agitator Ram with Side Pipe..... 07
 Hydraulic Ball Valve..... 53
 Hydraulic Chute Ram..... 07
 Hydraulic Diverter Valve..... 54
 Hydraulic Female Port..... 17
 Hydraulic Flow Regulator Check Valve..... 55
 Hydraulic Flow Regulator Valve..... 55
 Hydraulic Gear Motor 200 C..... 58
 Hydraulic Gear Motor AG160..... 57
 Hydraulic Gear Motor AG200..... 57
 Hydraulic Gear Motor AG300..... 57
 Hydraulic Gear Motor AG50..... 56
 Hydraulic Gear Motor AG80..... 56
 Hydraulic Gear Motor SMS 315 C..... 58
 Hydraulic Hose 2 Wire EN853 2SN..... 26
 Hydraulic Hose 2 Wire EN857 2SC..... 26
 Hydraulic Hose Multi Spiral 4 Wire
 EN856 4SP..... 26
 Hydraulic Over Centre Single Acting Valve..... 54
 Hydraulic Over Double Acting Valve..... 55
 Hydraulic Post Driver Cylinder Seal Kit..... 63
 Hydraulic Post Driver Ram..... 08
 Hydraulic Pressure Gauge..... 60
 Hydraulic Pressure Gauge Adaptor..... 60
 Hydraulic Quick Release Brake
 Female Coupling..... 47
 Hydraulic Quick Release Brake
 Male Coupling..... 47
 Hydraulic Quick Release Female
 Coupling..... 46
 Hydraulic Quick Release Male Coupling..... 46
 Hydraulic Ram Collar..... 08
 Hydraulic Steel Flow Divider..... 55
 Hydraulic Wiper Seal..... 64
 Light Duty Double Acting Hydraulic Ram..... 02
 Single Acting Hydraulic Hand Pump..... 59
 Single Acting Imperial Hydraulic
 Pressure Seal..... 64
 Single Acting Metric Hydraulic
 Pressure Seal..... 64
 Single Hydraulic Hose Clamp..... 27
 Standard Cat 2 x Cat 2 Hydraulic
 Top Link Painted With Anti Creep..... 21
 Standard Cat 2 x Cat 2 Knuckle &
 QA Hydraulic Top Link With Anti Creep..... 24
 Standard Cat 2 x Cat 2 Quick Attach
 Hydraulic Top Link With Anti
 Creep / Check Valve..... 22
 Standard Cat 3 x Cat 3 Quick Attach
 Hydraulic Top Link With Anti
 Creep / Check Valve..... 23
 Standard Duty Double Acting
 Hydraulic Ram..... 03
 Top Link Hydraulic Hose Kit..... 27
 Twin Hydraulic Hose Clamp..... 27
 WYE / Wrayram Hydraulic Trailer Seal Kit..... 61

INSERT			
R2T Swaged Ferrule.....	30		
2- Piece 90° Swage ORFS Insert.....	36		
2- Piece Female Swage ORFS Insert.....	36		
2- Piece Male Swage ORFS Insert.....	35		
Banjo 2-Piece Swage Insert.....	35		
BSP 2-Piece Compact 90° Insert.....	32		
BSP 2-Piece Swage 45° Insert.....	32		
BSP 2-Piece Swage 90° Swept Female Insert.....	31		
BSP 2-Piece Swage Male Insert.....	31		
BSP 2-Piece Swage Female Insert.....	31		
BSP Reusable 90° Insert.....	37		
BSP Reusable Female Insert.....	37		
BSP Reusable Male Insert.....	37		
JIC 2-Piece Swage 45° Insert.....	33		
JIC 2-Piece Swage 90° Insert.....	33		
JIC 2-Piece Swage Female Insert.....	33		
JIC 2-Piece Swage Male Insert.....	32		
Metric 2-Piece Swage 45° Insert.....	35		
Metric 2-Piece Swage 90° Insert.....	35		
Metric 2-Piece Swage Female Insert.....	34		
Metric 2-Piece Swage male Insert.....	34		
Multi-Spiral Ferrule.....	30		
Non Skive Ferrule.....	30		
Reusable Ferrules.....	36		
JIC			
BSP x JIC Female x male Adaptor.....	44		
BSP x JIC Male x Male Adaptor.....	44		
JIC 2-Piece Swage 45° Insert.....	33		
JIC 2-Piece Swage 90° Insert.....	33		
JIC 2-Piece Swage Female Insert.....	33		
JIC 2-Piece Swage Male Insert.....	32		
JIC Male x Male Adaptor.....	45		
LOG SPLITTER			
1-Bank Auto Monoblock For Log Splitter.....	49		
Double Acting Hydraulic Log Splitter Ram.....	06		
MONOBLOCK			
1-Bank DA Monoblock.....	49		
1-Bank Auto Monoblock For Log Splitter.....	49		
1-Bank SA Monoblock.....	49		
2-Bank DADA Monoblock.....	50		
2-Bank DASA Monoblock.....	50		
3-Bank DADADA Monoblock.....	50		
3-Bank DADASA Monoblock.....	51		
4-Bank DADADADA Monoblock.....	51		
5-Bank DADADADADA Monoblock.....	51		
Monoblock Handle.....	52		
Housing With Handle.....	52		
MOTOR			
Hydraulic Gear Motor AG50.....	56		
Hydraulic Gear Motor AG80.....	56		
Hydraulic Gear Motor AG160.....	57		
Hydraulic Gear Motor AG200.....	57		
Hydraulic Gear Motor AG300.....	57		
Hydraulic Gear Motor 200 C.....	58		
Hydraulic Gear Motor SMS 315 C.....	58		
OIL			
Imperial Oil Seal.....	66		
Metric Oil Seal.....	65		
O-RING			
Imperial O-Ring Selection Box 225 pieces.....	66		
Imperial O-Ring Selection Box 407 pieces.....	67		
Metric O-Ring Selection Box 225 pieces.....	67		
Metric O-Ring Selection Box 407 pieces.....	67		
O-Rings.....	66		
PORT			
Hydraulic Female Port.....	17		
POWER PACK			
12V Single Acting Power Pack with Remote & 8L Tank.....	59		
12V Double Acting Power Pack with Remote & 8L Tank.....	59		
PRESSURE GAUGE			
Hydraulic Pressure Gauge.....	60		
Hydraulic Pressure Gauge Adaptor.....	60		
RAM			
2-Stage Heavy Duty Trailer Ram.....	11		
2-Stage Hydraulic Ram Seal Kit.....	61		
2-Stage Light Duty Trailer Ram.....	09		
2-Stage Standard Duty Trailer Ram.....	10		
3-Stage Heavy Duty Trailer Ram 3-Stage Heavy Duty Trailer Ram (Chrome Plated).....	14		15
3-Stage STANDARD Duty Trailer Ram (Chrome Plated).....	13		
3-Stage Standard Duty Trailer Ram.....	12		
4-Stage Internal Spring Brake Heavy Duty Trailer Ram (Chrome Plated).....	16		
AK Hydraulic Ram Seal Kit.....	63		
Double Acting Hydraulic Log Splitter Ram.....	06		
Double Acting Hydraulic Ram 40-60/70 BAST. Seal Kit.....	62		
Double Acting Hydraulic Sheargrab Ram.....	05		
Heavy Duty Double Acting Hydraulic Ram.....	04		
Hydraulic Agitator Ram with Side Pipe.....	07		
Hydraulic Chute Ram.....	08		
Hydraulic Post Driver Ram.....	08		
Hydraulic Ram Collar.....	08		
Internal Spring Brake Ram.....	17		
Light Duty Double Acting Hydraulic Ram.....	02		
Standard Duty Double Acting Hydraulic Ram.....	03		
Top Link Check Valve Kit up to 20in Ram & 26in Top Link.....	25		
Trailer Brake Ram.....	19		
Trailer Brake Ram Assembly With Bolt-on Brackets.....	19		
Trailer Brake Ram Double Spring Assembly.....	18		
Trailer Brake Ram Single Spring Assembly.....	18		
REUSABLE			
BSP Reusable 90° Insert.....	37		
BSP Reusable Female Insert.....	37		
BSP Reusable Male Insert.....	37		
SEAL			
2-Stage Hydraulic Ram Seal Kit.....	61		
Bonded Hydraulic Seal.....	45		
AK Hydraulic Ram Seal Kit.....	63		
Double Acting Hydraulic Ram 40-60/70 BAST. Seal Kit.....	62		
Double Acting Imperial Hydraulic Pressure Seal.....	65		
Double Acting Metric Hydraulic Pressure Seal.....	65		
Hunter 2 Stage Heavy Duty Cylinder Seal Kit.....	61		
Hydraulic Post Driver Cylinder Seal Kit.....	63		
Hydraulic Wiper Seal.....	64		
Imperial Oil Seal.....	66		
Metric Oil Seal.....	65		
Single Acting Imperial Hydraulic Pressure Seal.....	64		
Single Acting Metric Hydraulic Pressure Seal.....	64		
Single Seals for Telescopic Cylinder Wide & Narrow.....	62		
U-Seal.....	63		
WYE / Wrayram Hydraulic Trailer Seal Kit.....	61		
SHEARGRAB			
Double Acting Hydraulic Sheargrab Ram.....	05		
SLEEVE			
Anti-Burst Hose Sleeve.....	28		
Anti-Burst Sleeve Crimp O-Clip.....	29		
SPRING			
Internal Spring Brake Ram.....	17		
Trailer Brake Ram Double Spring Assembly.....	18		
Trailer Brake Ram Single Spring Assembly.....	18		
SWAGE			
2- Piece 90° Swage ORFS Insert.....	36		
2- Piece Female Swage ORFS Insert.....	36		
2- Piece Male Swage ORFS Insert.....	35		
Banjo 2-Piece Swage Insert.....	35		
BSP 2-Piece Swage 45° Insert.....	32		
BSP 2-Piece Swage 90° Swept Female Insert.....	31		
BSP 2-Piece Swage Male Insert.....	31		
BSP 2-Piece Swage Female Insert.....	33		
JIC 2-Piece Swage 90° Insert.....	33		
JIC 2-Piece Swage Female Insert.....	33		
JIC 2-Piece Swage Male Insert.....	32		
Metric 2-Piece Swage 45° Insert.....	35		
Metric 2-Piece Swage 90° Insert.....	35		
Metric 2-Piece Swage Female Insert.....	34		
Metric 2-Piece Swage male Insert.....	34		
R2T Swaged Ferrule.....	30		
TOP LINK			
Genfitt Standard Cat 2 x Cat 2 Hydraulic Top Link.....	20		
Standard Cat 2 x Cat 2 Hydraulic Top Link Painted With Anti Creep.....	21		
Standard Cat 2 x Cat 2 Quick Attach Hydraulic Top Link With Anti Creep / Check Valve.....	22		
Standard Cat 2 & Cat 3 Knuckle x QA Hydraulic Top Link With Anti Creep.....	24		
Top Link Check Valve Kit up to 20in Ram & 26in Top Link.....	25		
Top Link Hydraulic Hose Kit.....	27		
T-PIECE			
T-Piece Female Adaptor.....	41		
T-Piece Male Adaptor.....	41		
T-Piece Male x Female x Male Adaptor.....	42		
T-Piece Male x Male x Female Adaptor.....	41		
TRAILER			
2-Stage Light Duty Trailer Ram.....	09		
2-Stage Standard Duty Trailer Ram.....	10		
2-Stage Heavy Duty Trailer Ram.....	11		
3-Stage Standard Duty Trailer Ram.....	12		
3-Stage STANDARD Duty Trailer Ram (Chrome Plated).....	13		
3-Stage Heavy Duty Trailer Ram 3-Stage Heavy Duty Trailer Ram (Chrome Plated).....	14		15
4-Stage Heavy Duty Trailer Ram (Chrome Plated).....	16		
Trailer Brake Ram Single Spring Assembly.....	18		
Trailer Brake Ram Double Spring Assembly.....	18		
Trailer Brake Ram Assembly With Bolt-on Brackets.....	19		
Trailer Brake Ram.....	19		
WYE / Wrayram Hydraulic Trailer Seal Kit.....	61		
VALVES			
1-Bank Auto Monoblock For Log Splitter.....	49		
1-Bank DA Monoblock.....	49		
1-Bank SA Monoblock.....	49		
2-Bank DADA Monoblock.....	50		
2-Bank DASA Monoblock.....	50		
3-Bank DADADA Monoblock.....	50		
3-Bank DADASA Monoblock.....	51		
4-Bank DADADADA Monoblock.....	51		
5-Bank DADADADADA Monoblock.....	51		
Burst Valve Female.....	53		
Hydraulic Ball Valve.....	53		
Hydraulic Diverter Valve.....	54		
Hydraulic Flow Regulator Check Valve.....	55		
Hydraulic Flow Regulator Valve.....	55		
Hydraulic Over Centre Single Acting Valve.....	54		
Hydraulic Over Double Acting Valve.....	55		
Inline Safety Check Valve Female.....	53		
Inline Safety Check Valve Male.....	52		
Sequence Valve.....	54		
Solenoid Diverter Valve.....	54		
WIPER			
Hydraulic Wiper Seal.....	64		
WIRE			
Hydraulic Hose 2 Wire EN853 2SN.....	26		
Hydraulic Hose 2 Wire EN857 2SC.....	26		
Hydraulic Hose Multi Spiral 4 Wire EN856 4SP.....	26		

G1160.....	45	G3535A.....	41	G3706.....	50	G10701.....	65
G1161.....	45	G3536.....	41	G3718.....	52	G10852A.....	05
G1162.....	45	G3537.....	41	G3718A.....	52	G10852B.....	05
G1163.....	45	G3540.....	42	G3752.....	56	G10852C.....	06
G1164.....	45	G3540A.....	42	G3753.....	57	G10853A.....	05
G1165.....	45	G3556.....	40	G3753A.....	57	G10854.....	05
G2069.....	26	G3557.....	40	G3754.....	57	G12183.....	44
G2070.....	26	G3558.....	40	G3766B.....	54	G12184.....	43
G2071.....	26	G3559B.....	40	G3773A.....	53	G12185.....	43
G2072.....	26	G3582A.....	47	G3773B.....	53	G12187.....	45
G2073.....	26	G3584.....	46	G3773C.....	53	G12193.....	04
G2074.....	26	G3585.....	46	G3891.....	02	G12194.....	04
G2184.....	26	G3585A.....	47	G3893.....	02	G12195.....	04
G2185A.....	26	G3585B.....	47	G3895.....	03	G12196.....	04
G2185B.....	26	G3586.....	46	G3897.....	02	G12197.....	04
G3299.....	35	G3587.....	46	G3899.....	03	G12613.....	08
G3300.....	35	G3588.....	48	G3901.....	02	G12658.....	44
G3303.....	30	G3588A.....	66	G3903.....	03	G13092.....	50
G3304.....	30	G3588B.....	66	G3905.....	02	G13095.....	49
G3305.....	30	G3590.....	46	G3907.....	03	G13096.....	51
G3306.....	30	G3591.....	46	G3909.....	03	G13097.....	51
G3307.....	30	G3592.....	46	G3911.....	03	G13106.....	08
G3308.....	30	G3593.....	46	G3913.....	03	G13139.....	31
G3467.....	38	G3594.....	48	G3917.....	03	G13140.....	31
G3469.....	38	G3604.....	36	G3919.....	03	G13141.....	31
G3470.....	38	G3605.....	36	G3921.....	03	G13143.....	31
G3471.....	38	G3606.....	36	G3923.....	03	G13144.....	31
G3473.....	38	G3608.....	36	G3931A.....	27	G13145.....	31
G3474.....	38	G3620.....	42	G3931B.....	27	G13146.....	31
G3475.....	38	G3620B.....	42	G3931C.....	27	G13147.....	31
G3476.....	38	G3621.....	43	G3937.....	19	G13148.....	31
G3478.....	38	G3622.....	43	G3938.....	17	G13149.....	31
G3479.....	38	G3623.....	43	G3939.....	18	G13150.....	31
G3480.....	38	G3624.....	43	G3940.....	07	G13151.....	31
G3481.....	38	G3625.....	43	G3941.....	07	G13152.....	31
G3482.....	38	G3626.....	43	G3941A.....	09	G13153.....	31
G3483.....	38	G3627.....	43	G3944.....	10	G13154.....	31
G3485.....	38	G3628.....	43	G3945.....	11	G13155.....	31
G3486.....	38	G3629.....	39	G3948.....	12	G13156.....	31
G3487.....	45	G3630.....	39	G3949.....	12	G13157.....	31
G3489.....	45	G3631.....	39	G3950.....	14	G13158.....	34
G3490.....	45	G3632.....	39	G3950A.....	14	G13159.....	34
G3491.....	45	G3633.....	39	G3951.....	60	G13160.....	34
G3494.....	45	G3634.....	39	G3952.....	59	G13161.....	34
G3495.....	44	G3636.....	38	G3953.....	59	G13162.....	34
G3496.....	44	G3640.....	44	G3955.....	54	G13163.....	34
G3497.....	44	G3641.....	44	G3956.....	54	G13165.....	34
G3498.....	44	G3642.....	44	G3957.....	03	G13170.....	34
G3499.....	44	G3643.....	44	G3958.....	03	G13171.....	34
G3500.....	44	G3644.....	44	G3959.....	03	G13172.....	34
G3506.....	44	G3645.....	44	G3961A.....	07	G13173.....	34
G3509.....	39	G3647.....	44	G5706.....	65	G13174.....	34
G3510.....	39	G3648.....	44	G5710.....	65	G13176.....	34
G3511.....	39	G3649.....	44	G5711.....	65	G13177.....	34
G3512.....	39	G3651.....	45	G10293.....	64	G13178.....	34
G3513.....	39	G3652.....	45	G10342.....	65	G13180.....	35
G3522.....	39	G3653.....	45	G10351.....	65	G13181.....	35
G3523.....	39	G3654.....	45	G10475.....	62	G13182.....	35
G3526.....	39	G3656.....	44	G10476A.....	62	G13183.....	35
G3527.....	39	G3658.....	44	G10479.....	62	G13184.....	35
G3527A.....	39	G3659.....	44	G10481.....	62	G13187.....	32
G3528A.....	39	G3660.....	40	G10600.....	65	G13188.....	32
G3529A.....	39	G3661.....	40	G10631.....	65	G13189.....	32
G3529B.....	39	G3662.....	40	G10633.....	65	G13190.....	32
G3530.....	41	G3663.....	40	G10638.....	65	G13191.....	32
G3531.....	41	G3672.....	44	G10650.....	65	G13193.....	32
G3532.....	41	G3704.....	49	G10667.....	65	G13194.....	32
G3534.....	41	G3705.....	50	G10673.....	65	G13195.....	32

G13196.....	32	G14367.....	42	G18116.....	48	G18995.....	61
G13197.....	32	G14387.....	44	G18117.....	47	G19001.....	20
G13201.....	33	G14391.....	39	G18141.....	31	G18792.....	29
G13203.....	33	G14825.....	34	G18159.....	33	G18794.....	29
G13204.....	33	G14828.....	34	G18196.....	15	G18993.....	13
G13205.....	33	G14831.....	35	G18197.....	15	G18995.....	61
G13206.....	33	G14847.....	34	G18211.....	53	G19001.....	20
G13207.....	33	G14848.....	34	G18219.....	16	G19002.....	20
G13296.....	38	G14849.....	35	G18220.....	54	G19003.....	20
G13315.....	37	G14941.....	35	G18221.....	53	G19004.....	20
G13316.....	37	G15096.....	61	G18224.....	42	G19006.....	03
G13317.....	37	G15097.....	61	G18225.....	15	G19358.....	27
G13323.....	37	G15098.....	61	G18226.....	36	G19359.....	03
G13324.....	37	G15099.....	61	G18227.....	35	G19409.....	60
G13325.....	37	G15161.....	66	G18228.....	36	G19410.....	60
G13326.....	37	G15292.....	32	G18249.....	31	G19411.....	60
G13331.....	37	G15342.....	65	G18281.....	47	G19658.....	12
G13332.....	37	G15344.....	65	G18288.....	36	G19732.....	20
G13333.....	37	G15348.....	65	G18290.....	36	G19733.....	20
G13371.....	66	G15506.....	43	G18295.....	58	G19755.....	26
G13573.....	38	G15631.....	35	G18296.....	58	G19756.....	26
G13576.....	31	G15682.....	32	G18317.....	18	G19868.....	19
G13654.....	63	G15773.....	64	G18441.....	42	G19923.....	04
G13731.....	66	G15777.....	64	G18445.....	53	G19924.....	04
G13737.....	40	G15804.....	42	G18446.....	41	G19925.....	04
G13739.....	30	G15903.....	27	G18450.....	60	G19932.....	24
G13740.....	30	G15904.....	43	G18451.....	53	G19948.....	21
G13742.....	30	G15951.....	61	G18491.....	36	G19949.....	21
G13755.....	63	G16048.....	64	G18513.....	03	G19950.....	21
G13792.....	32	G16055.....	64	G18539.....	48	G19951.....	21
G13795.....	32	G16062.....	08	G18540.....	47	G19952.....	21
G13922.....	09	G16193.....	35	G18594.....	54	G19965.....	08
G14007.....	65	G16353.....	32	G18597.....	55	G19965A.....	63
G14011.....	33	G16518.....	02	G18600.....	55	G20150.....	62
G14012.....	33	G16578.....	14	G18601.....	55	G20188.....	10
G14013.....	33	G16584.....	27	G18602.....	55	G20189.....	10
G14014.....	33	G16962.....	25	G18606.....	55	G20191.....	11
G14015.....	33	G17075.....	49	G18607.....	55	G20193.....	12
G14016.....	33	G17202.....	19	G18610.....	53	G20196.....	14
G14017.....	33	G17203.....	18	G18613.....	52	G20199.....	14
G14018.....	33	G17204.....	19	G18614.....	52	G20258.....	26
G14019.....	33	G17205.....	18	G18615.....	52	G20259.....	26
G14020.....	33	G17365.....	22	G18622.....	24		
G14025.....	33	G17366.....	23	G18623.....	24		
G14026.....	33	G17367.....	23	G18624.....	24		
G14034.....	64	G17456.....	61	G18672.....	66		
G14077A.....	62	G17462.....	02	G18678.....	67		
G14081.....	65	G17512.....	64	G18680.....	67		
G14103.....	63	G17544.....	17	G18681.....	67		
G14106.....	35	G17631.....	17	G18765.....	28		
G14129.....	66	G17639.....	48	G18766.....	28		
G14135.....	32	G17640.....	47	G18767.....	28		
G14138.....	33	G17677.....	14	G18768.....	28		
G14139.....	33	G17683.....	03	G18769.....	28		
G14247.....	43	G17754.....	49	G18774.....	28		
G14249.....	43	G17787.....	59	G18775.....	28		
G14250.....	45	G17788.....	59	G18776.....	28		
G14278.....	36	G17845.....	49	G18777.....	28		
G14281.....	36	G17846.....	50	G18778.....	28		
G14283.....	36	G17847.....	50	G18785.....	29		
G14284.....	36	G17848.....	51	G18786.....	29		
G14340.....	33	G17849.....	51	G18787.....	29		
G14342.....	33	G17850.....	52	G18788.....	29		
G14347.....	35	G17877.....	30	G18790.....	29		
G14348.....	35	G17882.....	30	G18792.....	29		
G14350.....	40	G17884.....	31	G18794.....	29		
G14353.....	40	G18079.....	25	G18993.....	13		

GENFITT

GENERATIONS OF KNOWLEDGE
AT YOUR SERVICE

BUY MORE, SAVE MORE

VOLUME DISCOUNTS NOW
AVAILABLE ON OUR BESTSELLING
PRODUCTS ONLINE



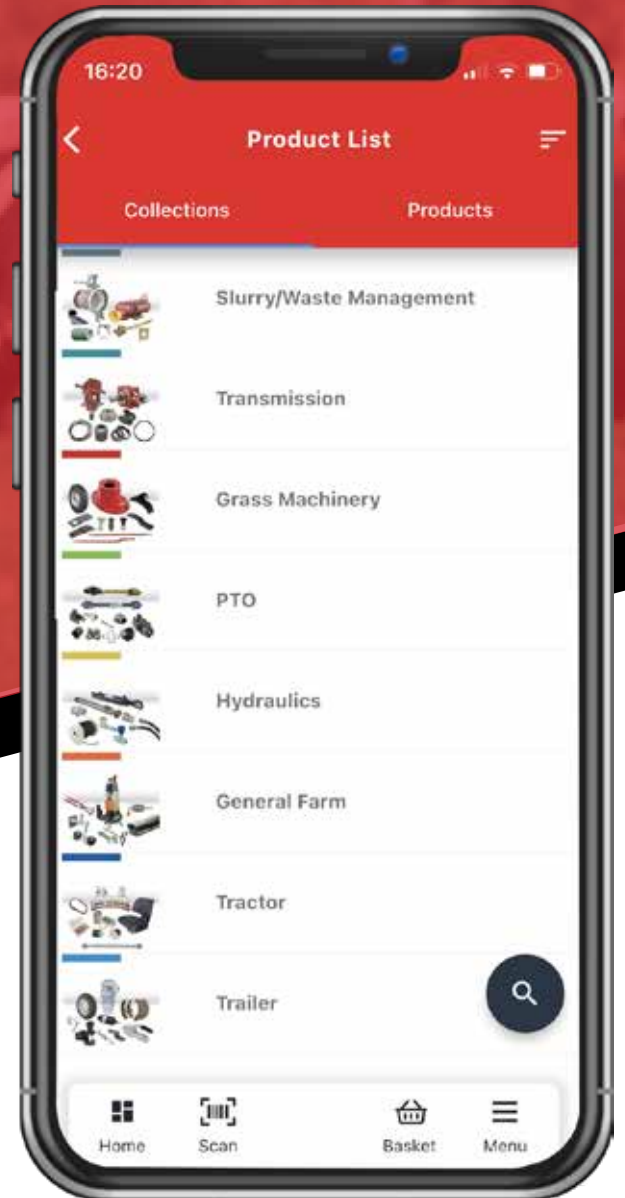
www.genfitt.ie
www.genfitt.co.uk

GENFITT

Introducing the Genfitt Ordering App.
Need to order an item or find your
customer details easily & quickly?

No problem, you can find it

HERE!



Using the App:

Scan, Search or Navigate the
categories to find & order products

Benefits for you:

1. Scan Products.
2. Quick Ordering.
3. Mobile Ordering.
4. Check Availability, Price & Product information
5. App is another ordering option along with calling your Rep, calling the Sales Office and Ordering via our website.



www.genfitt.ie
www.genfitt.co.uk



**GENERATIONS OF KNOWLEDGE
AT YOUR SERVICE**

Genfitt Mayo Ltd.
Knock Road
Kiltimagh
Co. Mayo
F12 K732
Ireland

info@genfitt.ie

+353 (0) 94 - 938 1377

www.genfitt.ie

info@genfitt.co.uk

freephone: 08000 239 115

www.genfitt.co.uk